

A

B

C

D

E

F

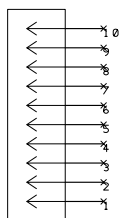
I2C Slave Address

ADXL345 : 0x1D

Si7013 : 0x40 or 0x41, selected 0x40 (AD0=0)

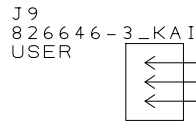
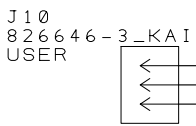
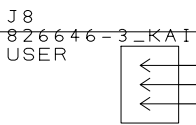
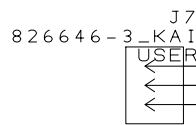
Si1145 : 0x60

J1
1-826648-0
CON10_1X10_P100UM_HDR

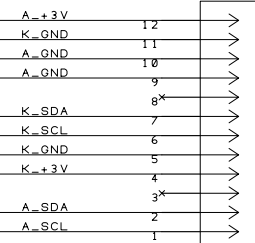


P107_I2C_SCL


P106_I2C_SDA

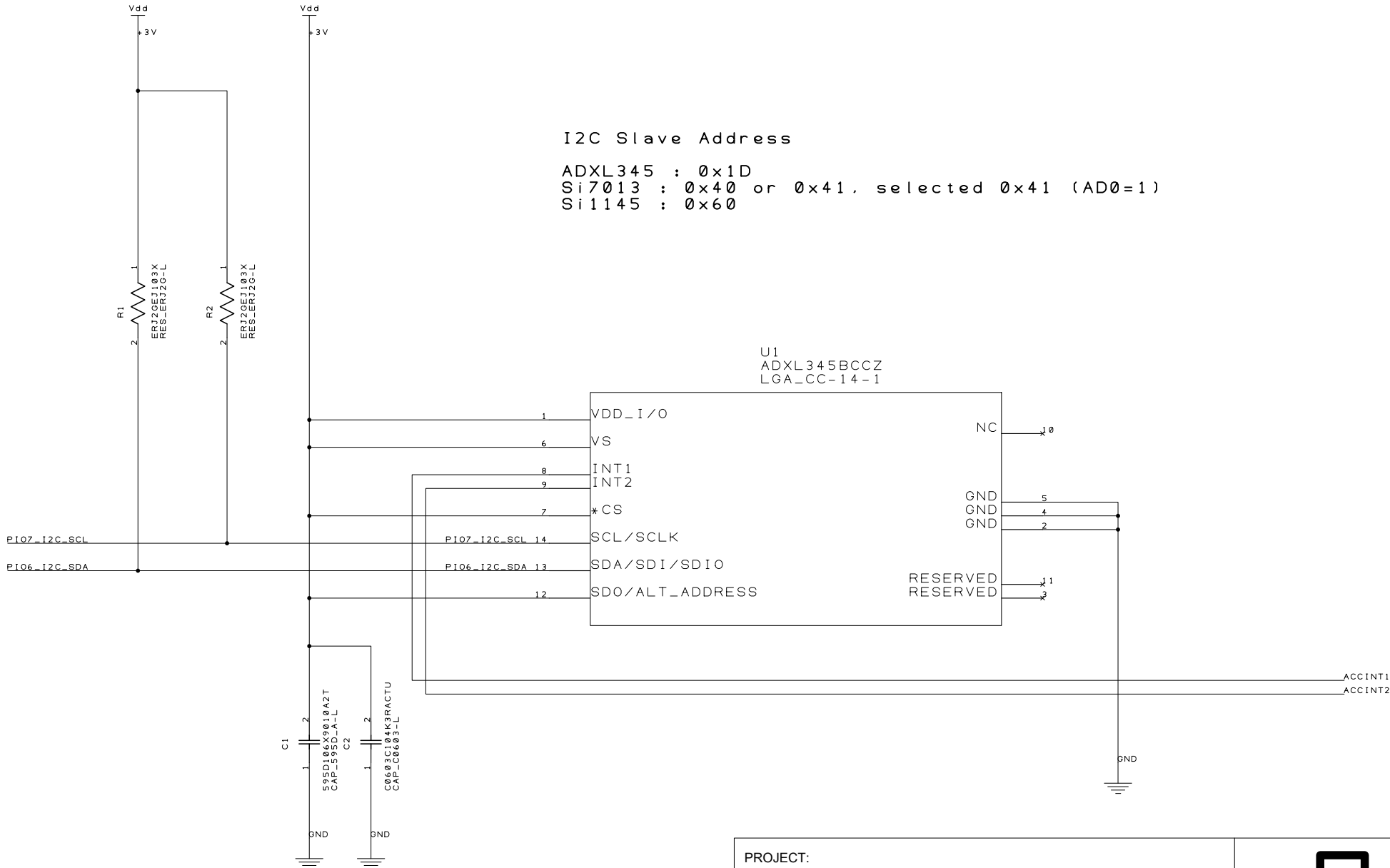


Vdd
+3V



J2
1-826646-2_KAI
USER


PROJECT:			
DRAWING TITLE:			
DRAWN BY:			
SHEET: OF		REVISION:	
DATE:		STATUS:	
		DESIGNSPARK PCB available for FREE at www.DesignSpark.com/PCB	



I2C Slave Address

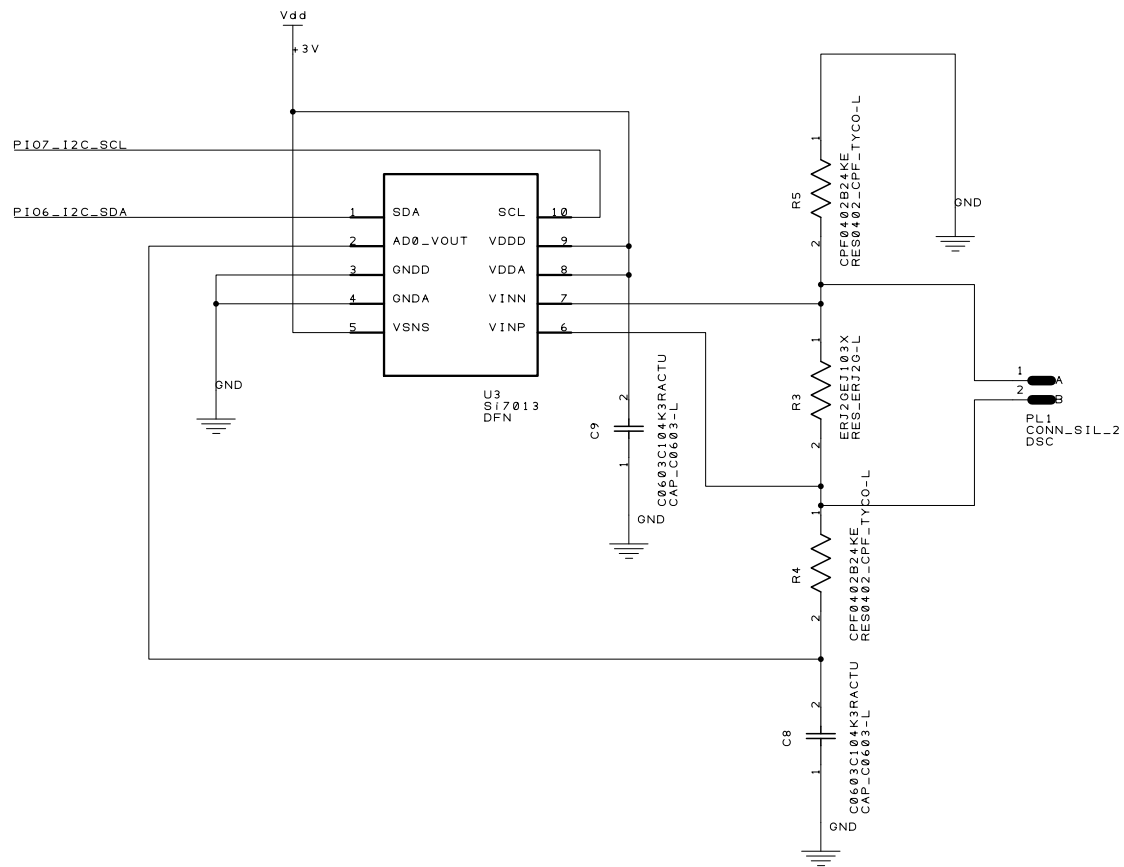
ADXL345 : 0x1D
 Si7013 : 0x40 or 0x41, selected 0x41 (AD0=1)
 Si1145 : 0x60


U1
 ADXL345BCCZ
 LGA_CC-14-1

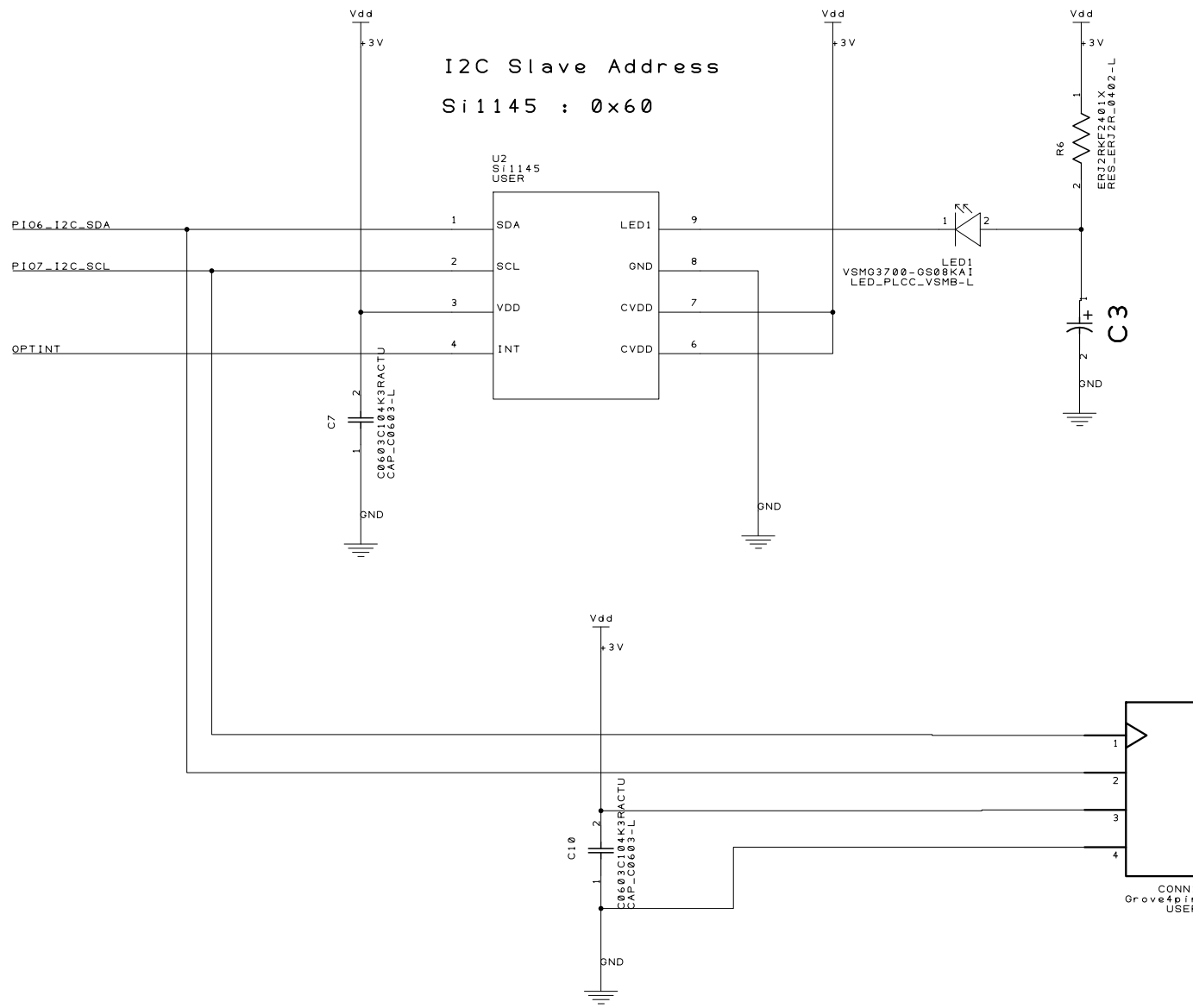
PROJECT:		
DRAWING TITLE:		
DRAWN BY:		
REVISION:		
SHEET: OF	STATUS:	
DATE:		DESIGNSPARK PCB available for FREE at www.DesignSpark.com/PCB

I2C Slave Address


Si7013 : 0x40 or 0x41, selected 0x41 (AD0=1)



PROJECT:			
DRAWING TITLE:			
DRAWN BY:		REVISION:	
SHEET:	OF	STATUS:	
DATE:		DESIGNSPARK PCB available for FREE at www.DesignSpark.com/PCB	



F931A156MAA
PCAP134X71_Case-A-L

PROJECT:		
DRAWING TITLE:		
DRAWN BY:		
SHEET: OF		REVISION:
DATE:		STATUS:
DESIGNSPARK PCB available for FREE at www.DesignSpark.com/PCB		