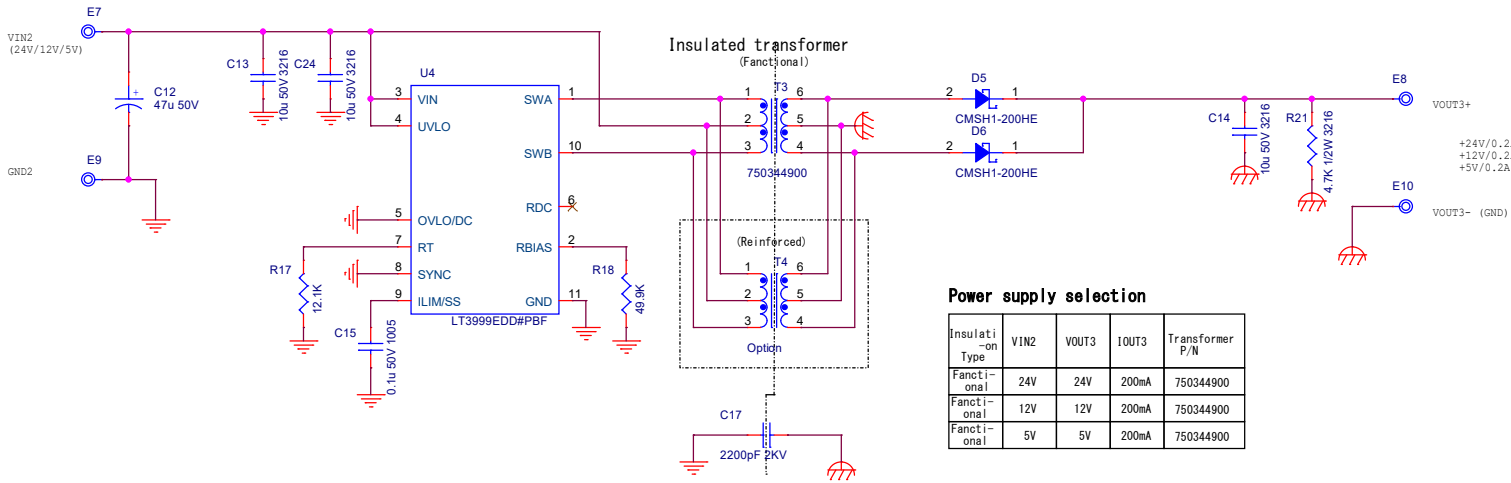


Power supply selection by JP setting

Mode selection jumper (O : Short)			Insulation Type	VIN1	VOUT 1+/2-	IOUT 1+/2-	Transformer P/N
JP1	JP2	JP3					
○	○	○	Functional	24V	±15V	100mA	750344900
○	○	○	Functional	24V	±12V	100mA	750344900
○	○	○	Functional	12V	±5V	100mA	750344900



Power supply selection

Insulation Type	VIN2	VOUT3	IOUT3	Transformer P/N
Functional	24V	24V	200mA	750344900
Functional	12V	12V	200mA	750344900
Functional	5V	5V	200mA	750344900