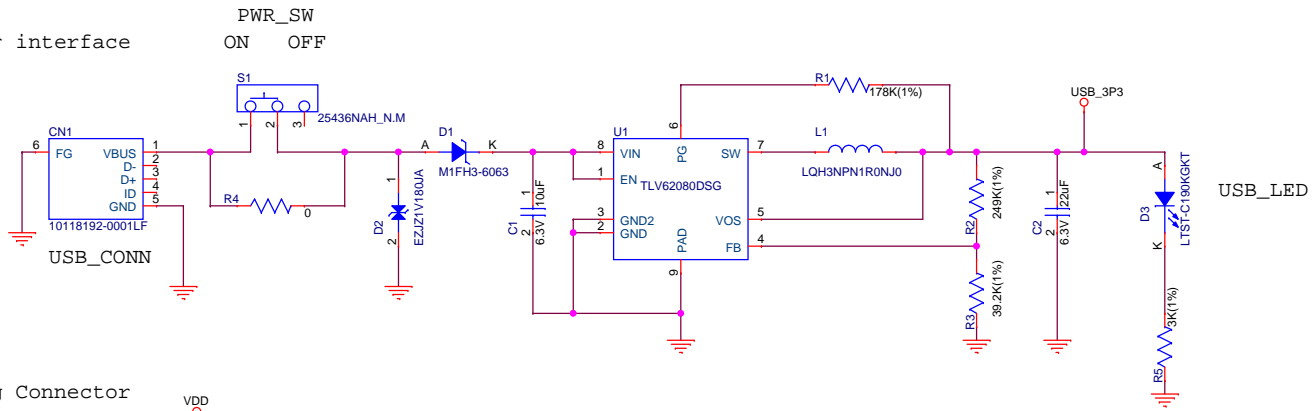


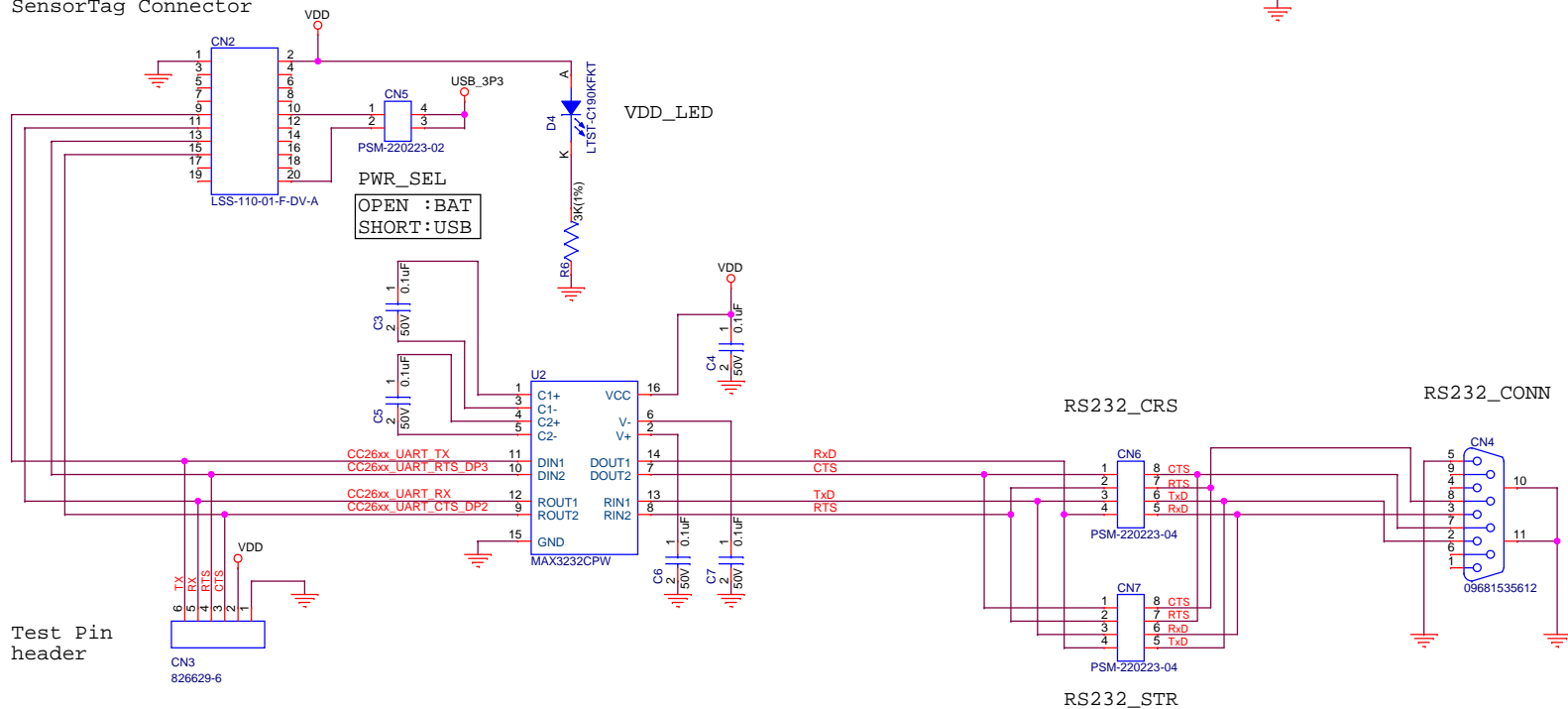
DEVPACKM-RS232-IIボード回路図

PAGE	DESCRIPTION
01	TITLE
02	DEVPACKM-RS232-II

USB Power interface



SensorTag Connector



MPRESSION
Solutions by Macnica

Title: DEVPACKM-RS232-11ボード回路図

Size	Document Number	Rev	STEP
A3	DATA_000087	B	2
Date:	NOV_30_2016	Sheet	2 of 2