

P1-2		
IO_3B_W11/CLK0N,FPLL_BL_FBN/DIFFIO_RX_B31N	W11	5CSX 3B IO0
IO_3B_V11/CLK0P,FPLL_BL_FBP/DIFFIO_RX_B31P	V11	5CSX 3B IO1
IO_3B_AH4/FPLL_BL_CLKOUT1,FPLL_BL_CLKOUTN/DIFFIO_TX_B37N/DQ3B	AH4	5CSX IOn11
IO_3B_AG5/FPLL_BL_CLKOUT0,FPLL_BL_CLKOUTP,FPLL_BL_FB/DIFFIO_TX_B37P/DQ3B	AG5	5CSX IOp11
IO_3A_AD5/DIFFIO_TX_B8P/DQ1B	AD5	X
IO_3B_AF4/DIFFIO_TX_B25N	AF4	5CSX 3B IO2
IO_3B_AE9/DIFFIO_RX_B26N/DQ2B	AE9	5CSX 3B IO3
IO_3B_AE4/DIFFIO_TX_B25P/DQ2B	AE4	5CSX 3B IO4
IO_3B_AD10/DIFFIO_RX_B26P/DQ2B	AD10	5CSX 3B IO5
IO_3B_U11/DIFFIO_RX_B27N/DQ3B	U11	5CSX 3B IO6
IO_3B_AF8/DIFFIO_TX_B28N/DQ2B	AF8	5CSX 3B IO7
IO_3B_T11/DIFFIO_RX_B27P/DQ3B	T11	5CSX 3B IO8
IO_3B_AE7/DIFFIO_TX_B28P	AE7	5CSX 3B IO9
IO_3B_AF9/DIFFIO_TX_B29N/DQ2B	AF9	5CSX 3B IO10
IO_3B_AF5/DIFFIO_TX_B32P/DQ2B	AF5	5CSX 3B IO11
IO_3B_AE8/DIFFIO_TX_B29P/DQ2B	AE8	5CSX 3B IO12
IO_3B_AD11/DIFFIO_RX_B30N/DQ2B	AD11	5CSX 3B IO13
IO_3B_AF6/DIFFIO_TX_B32P/DQ2B	AF6	5CSX 3B IO14
IO_3B_AF5/DIFFIO_TX_B32P/DQ2B	AF5	5CSX 3B IO15
IO_3B_AE6/DIFFIO_TX_B33N	AE6	5CSX 3B IO16
IO_3B_AF10/DIFFIO_RX_B34N/DQ3B	AF10	5CSX 3B IO17
IO_3B_AF7/DIFFIO_TX_B33P/DQ3B	AF7	5CSX 3B IO18
IO_3B_AF11/DIFFIO_RX_B34P/DQ3B	AF11	5CSX 3B IO19
IO_3B_T12/DIFFIO_RX_B35N/DQ3B	T12	5CSX 3B IO20
IO_3B_AH2/DIFFIO_RX_B36N/DQ3B	AH2	5CSX IOn10
IO_3B_T13/DIFFIO_RX_B36P/DQ3B	T13	5CSX 3B IO21
IO_3B_AH3/DIFFIO_TX_B36P	AH3	5CSX IOp10
IO_3B_AD12/DIFFIO_RX_B38N/DQ3B	AD12	5CSX 3B IO22
IO_3B_AE12/DIFFIO_RX_B38P/DQ3B	AE12	5CSX 3B IO23
IO_3B_AH5/DIFFIO_TX_B40N/DQ3B	AH5	5CSX IOn9
IO_3B_AH6/DIFFIO_TX_B40P/DQ3B	AH6	5CSX IOp9

CycloneV 5CSXFC6U23
 VERSION : 1.2
 PAGE : 2 of 11
 DATE : JUN_2013

P1-4		
IO_5B_AB26/FPLL_BR_CLKOUT0,FPLL_BR_CLKOUTP,FPLL_BR_FB/DIFFIO_TX_R22P	AB26	X
IO_5B_AA26/FPLL_BR_CLKOUT1,FPLL_BR_CLKOUTN/DIFFIO_TX_R22N	AA26	X
IO_5B_Y24/CLK4P,FPLL_BR_FBP/DIFFIO_RX_R23P	Y24	FPGA CLKIN 50MHZ
IO_5B_W24/CLK4N,FPLL_BR_FBN/DIFFIO_RX_R23N	W24	X
IO_5A_Y17/DIFFIO_RX_R4P/DQ1R	Y17	5CSX 5A IO8
IO_5A_Y18/DIFFIO_RX_R4N/DQ1R	Y18	5CSX 5A IO9
IO_5A_Y16/DIFFIO_RX_R6P/DQ3R	Y16	5CSX 5A IO10
IO_5A_AA24/DIFFIO_TX_R7P/DQ1R	AA24	5CSX 5A IO11
IO_5A_V16/DIFFIO_RX_R8P/DQ1R	V16	5CSX 5A IO12
IO_5A_AA23/DIFFIO_TX_R7N	AA23	5CSX 5A IO13
IO_5A_V15/DIFFIO_RX_R8N/DQ1R	V15	5CSX 5A IO14

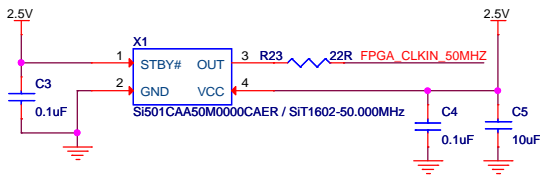
CycloneV 5CSXFC6U23
 VERSION : 1.2
 PAGE : 4 of 11
 DATE : JUN_2013

P1-3		
IO_4A_AF13/DIFFIO_RX_B42N/DQ4B	AF13	5CSX 4A IO0
IO_4A_AG8/DIFFIO_TX_B41P/DQ4B	AG8	5CSX 4A IO1
IO_4A_AG13/DIFFIO_RX_B42P/DQ4B	AG13	5CSX 4A IO2
IO_4A_U13/DIFFIO_RX_B43N/DQ5B	U13	5CSX 4A IO3
IO_4A_AH8/DIFFIO_TX_B44N/DQ4B	AH8	5CSX IOn8
IO_4A_U14/DIFFIO_RX_B43P/DQ5B	U14	5CSX 4A IO4
IO_4A_AG9/DIFFIO_TX_B44P	AG9	5CSX IOp8
IO_4A_AH9/DIFFIO_TX_B45N/DQ4B	AH9	5CSX IOn7
IO_4A_AE15/DIFFIO_RX_B46N/DQ4B	AE15	5CSX 4A IO5
IO_4A_AG10/DIFFIO_TX_B45P/DQ4B	AG10	5CSX IOp7
IO_4A_AF15/DIFFIO_RX_B46P/DQ4B	AF15	5CSX 4A IO6
IO_4A_AH11/DIFFIO_TX_B48P/DQ4B	AH11	5CSX IOn6
IO_4A_AG11/DIFFIO_TX_B48P/DQ4B	AG11	5CSX IOp6
IO_4A_AG16/DIFFIO_RX_B50N/DQ5B	AG16	5CSX 4A IO7
IO_4A_AH12/DIFFIO_TX_B49P/DQ5B	AH12	5CSX 4A IO8
IO_4A_AF17/DIFFIO_RX_B50P/DQ5B	AF17	5CSX 4A IO9
IO_4A_V13/DIFFIO_RX_B51N/DQ5B	V13	5CSX 4A IO10
IO_4A_AH13/DIFFIO_TX_B52N/DQ5B	AH13	5CSX IOn5
IO_4A_W14/DIFFIO_RX_B51P/DQ5B	W14	5CSX 4A IO11
IO_4A_AG14/DIFFIO_TX_B52P	AG14	5CSX IOp5
IO_4A_AH14/DIFFIO_TX_B53N/DQ5B	AH14	5CSX IOn4
IO_4A_AE17/DIFFIO_RX_B54N/DQ5B	AE17	5CSX 4A IO12
IO_4A_AG15/DIFFIO_TX_B53P/DQ5B	AG15	5CSX IOp4
IO_4A_AD17/DIFFIO_RX_B54P/DQ5B	AD17	5CSX 4A IO13
IO_4A_AH16/DIFFIO_TX_B56N/DQ5B	AH16	5CSX IOn3
IO_4A_AH17/DIFFIO_TX_B56P/DQ5B	AH17	5CSX IOp3
IO_4A_AD19/DIFFIO_RX_B58N/DQ6B	AD19	5CSX 4A IO14
IO_4A_AF18/DIFFIO_TX_B57P/DQ6B	AF18	5CSX 4A IO15
IO_4A_AE19/DIFFIO_RX_B58P/DQ6B	AE19	5CSX 4A IO16
IO_4A_AA18/DIFFIO_RX_B59N/DQ5B	AA18	5CSX 4A IO17
IO_4A_AH18/DIFFIO_TX_B60N/DQ6B	AH18	5CSX IOn2
IO_4A_AA19/DIFFIO_RX_B59P/DQ5B	AA19	5CSX 4A IO18
IO_4A_AG18/DIFFIO_TX_B60P	AG18	5CSX IOp2
IO_4A_AH19/DIFFIO_TX_B61N/DQ6B	AH19	5CSX IOn1
IO_4A_AD20/DIFFIO_RX_B62N/DQ6B	AD20	5CSX 4A IO19
IO_4A_AG19/DIFFIO_TX_B61P/DQ6B	AG19	5CSX IOp1
IO_4A_AE20/DIFFIO_RX_B62P/DQ6B	AE20	5CSX 4A IO20
IO_4A_AG20/DIFFIO_TX_B64N/DQ6B	AG20	5CSX 4A IO21
IO_4A_AF20/DIFFIO_TX_B64P/DQ6B	AF20	5CSX 4A IO22
IO_4A_AF21/DIFFIO_RX_B66N/DQ7B	AF21	5CSX 4A IO23
IO_4A_AG21/DIFFIO_TX_B65P/DQ7B	AG21	5CSX 4A IO24
IO_4A_AF22/DIFFIO_RX_B66P/DQ7B	AF22	5CSX 4A IO25
IO_4A_AE22/DIFFIO_RX_B67N/DQ5B	AE22	5CSX 4A IO26
IO_4A_AH21/DIFFIO_TX_B68N/DQ7B	AH21	5CSX 4A IO27
IO_4A_AH22/DIFFIO_TX_B68P/DQ7B	AH22	5CSX 4A IO28
IO_4A_AD23/DIFFIO_RX_B67P/DQ5B	AD23	5CSX IOn0
IO_4A_AH22/DIFFIO_TX_B69N/DQ7B	AH22	5CSX 4A IO29
IO_4A_AF23/DIFFIO_RX_B70N/DQ7B	AF23	5CSX IOp0
IO_4A_AH23/DIFFIO_TX_B69P/DQ7B	AH23	5CSX 4A IO30
IO_4A_AG23/DIFFIO_RX_B70P/DQ7B	AG23	5CSX 4A IO31
IO_4A_AH24/DIFFIO_TX_B72N/DQ7B	AH24	5CSX 4A IO32
IO_4A_AG24/DIFFIO_TX_B72P/DQ7B	AG24	5CSX 4A IO33
IO_4A_AE23/DIFFIO_RX_B74N/DQ8B	AE23	5CSX 4A IO34
IO_4A_AG26/DIFFIO_TX_B73P/DQ8B	AG26	5CSX 4A IO35
IO_4A_AE24/DIFFIO_RX_B74P/DQ8B	AE24	5CSX 4A IO36
IO_4A_AC23/DIFFIO_RX_B75N/DQ5B	AC23	5CSX 4A IO36
IO_4A_AH26/DIFFIO_TX_B76N/DQ8B	AH26	5CSX 4A IO37
IO_4A_AC22/DIFFIO_RX_B75P/DQ5B	AC22	5CSX 4A IO38
IO_4A_AH27/DIFFIO_TX_B77N/DQ8B	AH27	5CSX 4A IO39
IO_4A_AG25/DIFFIO_RX_B78N/DQ8B	AG25	5CSX 4A IO40
IO_4A_AG28/DIFFIO_TX_B77P/DQ8B	AG28	5CSX 4A IO41
IO_4A_AF25/DIFFIO_RX_B78P/DQ8B	AF25	5CSX 4A IO42
IO_4A_AF28/DIFFIO_RX_B78P/DQ8B	AF28	5CSX 4A IO43
IO_4A_AF28/DIFFIO_RX_B80N/DQ8B	AF28	5CSX 4A IO43
IO_4A_AF27/DIFFIO_TX_B80P/DQ8B	AF27	5CSX 4A IO44

CycloneV 5CSXFC6U23
 VERSION : 1.2
 PAGE : 3 of 11
 DATE : JUN_2013

5CSXFC6C6U23C8NES / 5CSEBA2U23C8N

- 5CSX_3B_IO[0:23]
- 5CSX_4A_IO[0:44]
- 5CSX_5A_IO[0:14]
- 5CSX_Iop[0:11]
- 5CSX_IOn[0:11]



P1-8		
IO_3B_W12/CLK1N/DIFFIO_RX_B39N	W12	5CSX CLK0
IO_3B_V12/CLK1P/DIFFIO_RX_B39P	V12	5CSX CLK1
IO_4A_AA13/CLK2N/DIFFIO_RX_B47N	AA13	5CSX CLK2
IO_4A_Y13/CLK2P/DIFFIO_RX_B47P	Y13	5CSX CLK3
IO_4A_AA15/CLK3N/DIFFIO_RX_B55N	AA15	5CSX CLKn
IO_4A_Y15/CLK3P/DIFFIO_RX_B55P	Y15	5CSX CLKn
IO_5B_W21/CLK5N/DIFFIO_RX_R21P	W21	5CSX CLK6
IO_5B_W20/CLK5P/DIFFIO_RX_R21N	W20	5CSX CLK7
IO_8A_D12/CLK7N/DIFFIO_RX_T1P	D12	5CSX CLK4
IO_8A_C12/CLK7N/DIFFIO_RX_T1N	C12	5CSX CLK5
IO_4A_AH7/RZQ_0/DIFFIO_TX_B41N	AH7	R42
IO_5A_AF26/RZQ_1/DIFFIO_TX_R1P/DQ1R	AF26	R44
IO_5B_AB25/RZQ_2/DIFFIO_TX_R24N	AB25	R46
VREFB6B0_HPS_6B_T27	H28	VREF_HPS_DDR3
VREFB6A0_HPS_6A_H28	AE5	5CSX VREF0
VREFB3A0_3A_AE5	AF12	5CSX VREF1
VREFB3B0_3B_AF12	AF16	5CSX VREF2
VREFB4A0_4A_AF16	AC26	5CSX VREF3
VREFB5A0_5A_AC26	AA25	5CSX VREF4
VREFB5B0_5B_AA25	D19	5CSX VREF5
VREFB7A7B7C7DN0_HPS_D19	D9	5CSX VREF6
VREFB8A0_8A_D9		

CycloneV 5CSXFC6U23
 VERSION : 1.2
 PAGE : 8 of 11
 DATE : JUN_2013

- 5CSX_CLK[0:7]
- 5CSX_VREF[0:6]
- 5CSX_CLKn
- 5CSX_CLKp

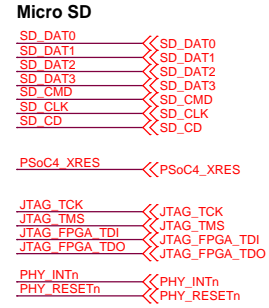
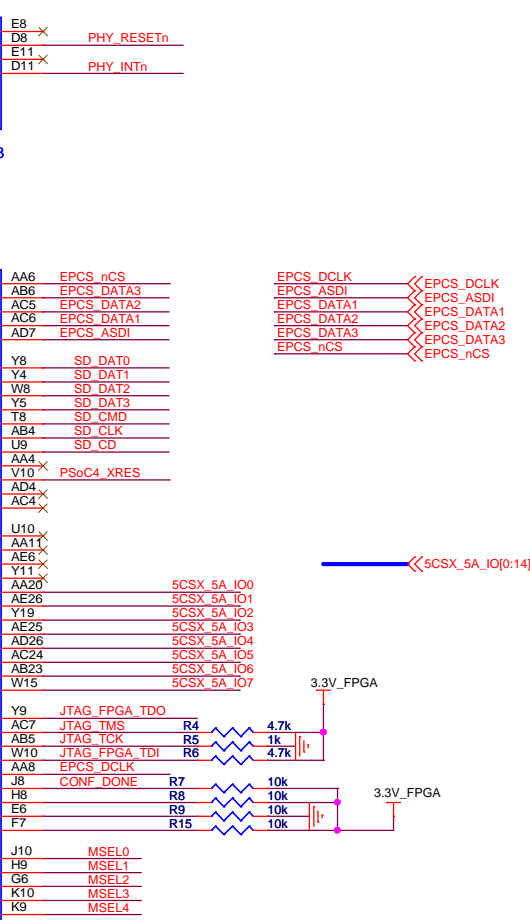
Title	<Title>	Rev	<Rev Code>
Size	Document Number		
B	<Doc>		
Date:	Friday, May 23, 2014	Sheet	1 of 11

P1-7
 IO_8A_E8/FPLL_TL_CLKOUT0,FPLL_TL_CLKOUTP,FPLL_TL_FB/DIFFIO_TX_T4P
 IO_8A_D8/FPLL_TL_CLKOUT1,FPLL_TL_CLKOUTN/DIFFIO_TX_T4N
 IO_8A_E11/CLK6P,FPLL_TL_FBP/DIFFIO_RX_T9P
 IO_8A_D11/CLK6N,FPLL_TL_FBN/DIFFIO_RX_T9N

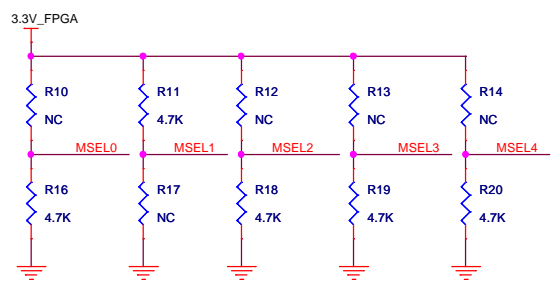
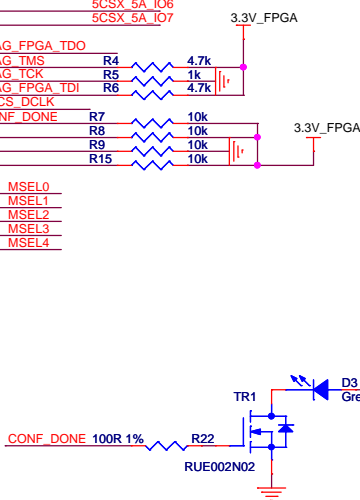
CycloneV 5CSXFC6U23
 VERSION : 1.2
 PAGE : 7 of 11
 DATE : JUN_2013

P1-9
 NCS0_3A_AA6/DATA4
 AS_DATA3_3A_AB6/DATA3
 AS_DATA2_3A_AC5/DATA2
 AS_DATA1_3A_AC6/DATA1
 AS_DATA0_ASD0_3A_AD7/DATA0
 IO_3A_Y8/DATA6/DIFFIO_RX_B1N/DQ1B
 IO_3A_Y4/DATA5/DIFFIO_TX_B2N
 IO_3A_W8/DATA8/DIFFIO_RX_B1P/DQ1B
 IO_3A_Y5/DATA7/DIFFIO_TX_B2P/DQ1B
 IO_3A_T8/DATA10/DIFFIO_RX_B3N/DQS1B
 IO_3A_AB4/DATA9/DIFFIO_TX_B4N/DQ1B
 IO_3A_U9/DATA12/DIFFIO_RX_B3P/DQS1B
 IO_3A_AA4/DATA11/DIFFIO_TX_B4P
 IO_3A_V10/DATA14/DIFFIO_RX_B5N/DQ1B
 IO_3A_AD4/DATA13/DIFFIO_TX_B6N/DQ1B
 IO_3A_AC4/DATA15/DIFFIO_TX_B6P/DQ1B
 IO_3A_U10/CLKUSR/DIFFIO_RX_B5P/DQ1B
 IO_3A_AA11/PR_DONE/DIFFIO_RX_B7N
 IO_3A_AE6/PR_READY/DIFFIO_TX_B8N/DQ1B
 IO_3A_Y11/PR_ERROR/DIFFIO_RX_B7P
 IO_5A_AA20/INIT_DONE/DIFFIO_RX_R2P
 IO_5A_AE26/PR_REQUEST/DIFFIO_TX_R1N/DQ1R
 IO_5A_Y19/CRC_ERROR/DIFFIO_RX_R2N
 IO_5A_AE25/NCOE/DIFFIO_TX_R3P/DQ1R
 IO_5A_AD26/CVP_CONF/DONE/DIFFIO_TX_R3N/DQ1R
 IO_5A_AC24/DEV_OE/DIFFIO_TX_R5P
 IO_5A_AB23/DEV_CLR/N/DIFFIO_TX_R5N/DQ1R
 IO_5A_W15/NPERSTL1/DIFFIO_RX_R6N/DQS1R
 TDO Y9 JTAG FPGA_TDO
 TMS AC7 JTAG TMS R4 4.7k
 TCK AB5 JTAG TCK R5 1k
 TDI W10 JTAG FPGA_TDI R6 4.7k
 DCLK AA8 EPCS_DCLK
 CONF_DONE J8 CONF_DONE R7 10k
 NSTATUS H8 R8 10k
 NCE E6 R9 10k
 NCONFIG F7 R15 10k
 MSEL0 J10 MSEL0
 MSEL1 H9 MSEL1
 MSEL2 G6 MSEL2
 MSEL3 K10 MSEL3
 MSEL4 R9 MSEL4

CycloneV 5CSXFC6U23
 VERSION : 1.2
 PAGE : 9 of 11
 DATE : JUN_2013

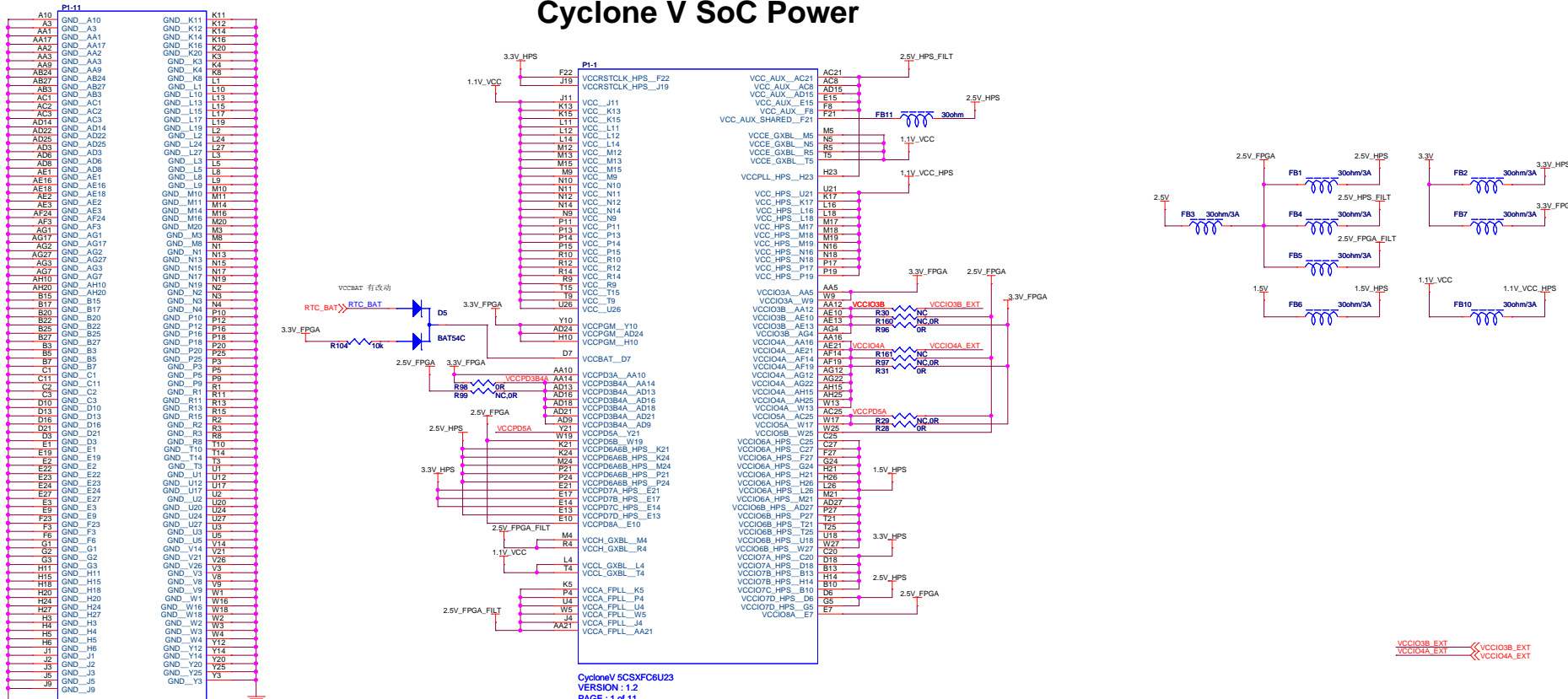


5CSX_5A_IO[0:14]

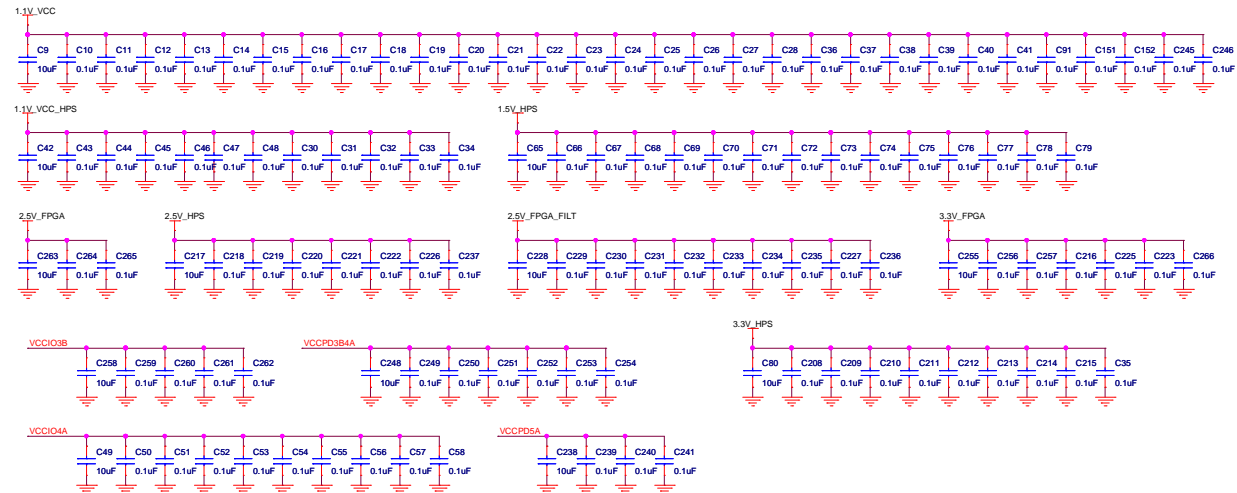
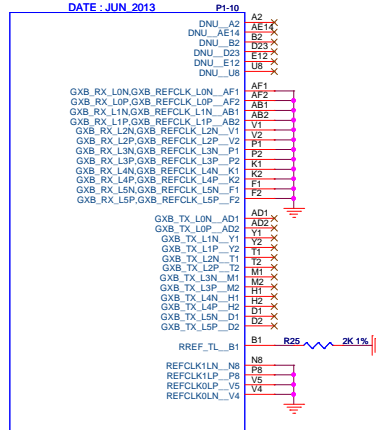


Title		
<Title>		
Size	Document Number	Rev
B	<Doc>	<Rev Code>
Date:	Friday, May 23, 2014	Sheet 2 of 11

Cyclone V SoC Power

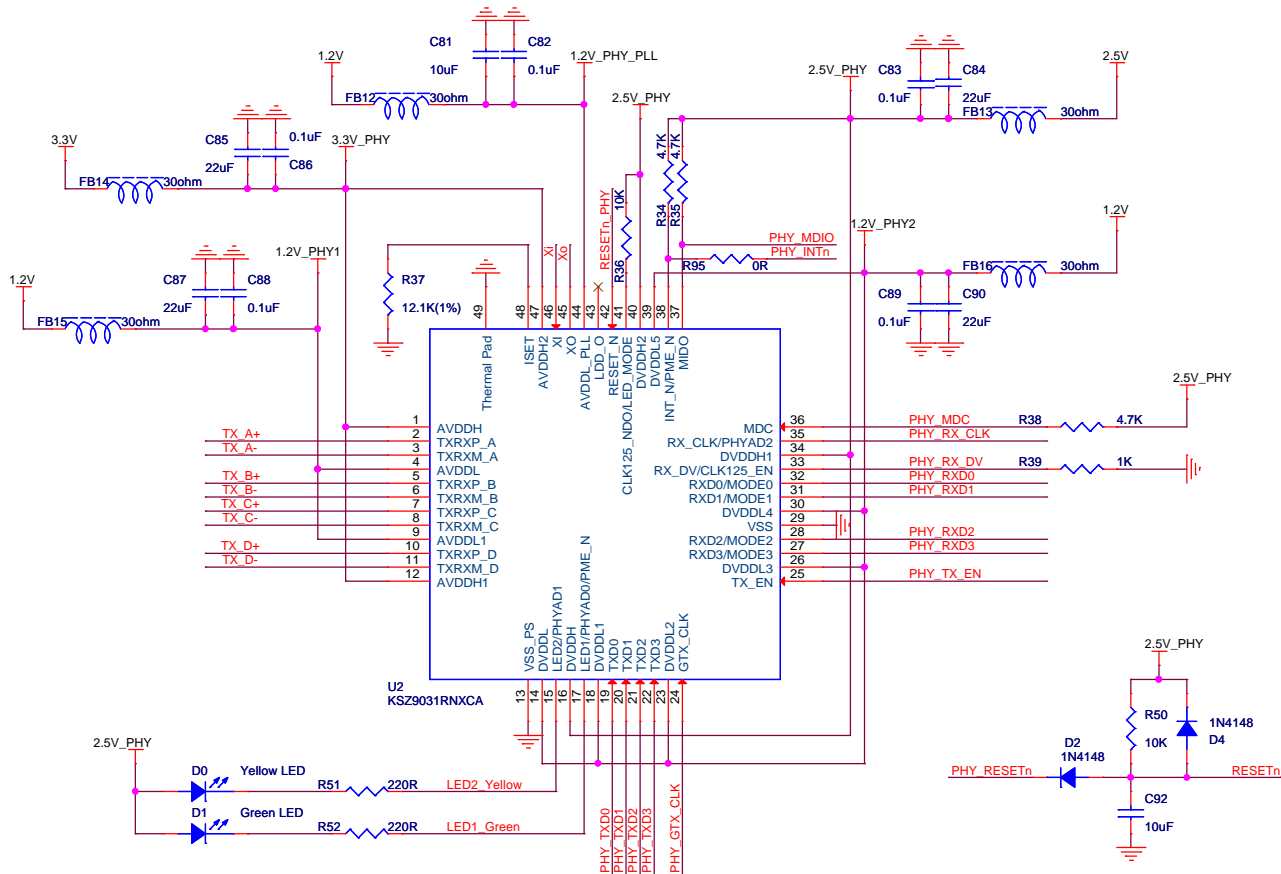
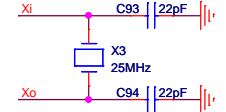
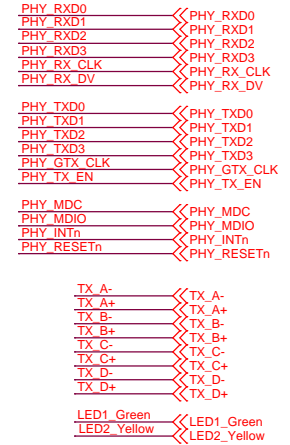


CycloneV 5CSXFC6U23
VERSION : 1.2
PAGE : 11 of 11
DATE : JUN_2013

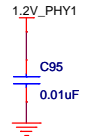


Title	<Title>	Rev	<Rev Code>
Size	<Document Number>		
C	<Doc>		
Date:	Friday, May 23, 2014	Sheet	4 of 11

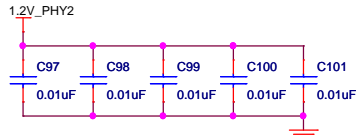
10/100/1000M Ethernet



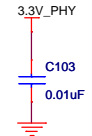
Docouple Capacitance
place near pin4, pin5;



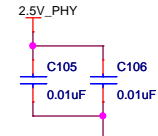
Docouple Capacitance
place near pin14, pin16, pin23, pin26, pin30, pin39;



Docouple Capacitance
place near pin1, pin12, pin17;

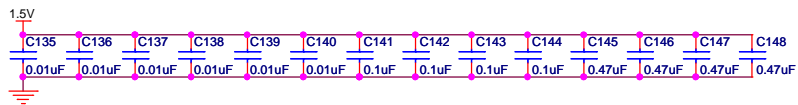
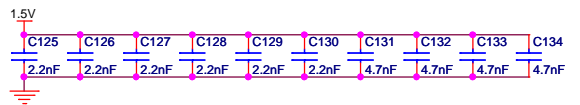
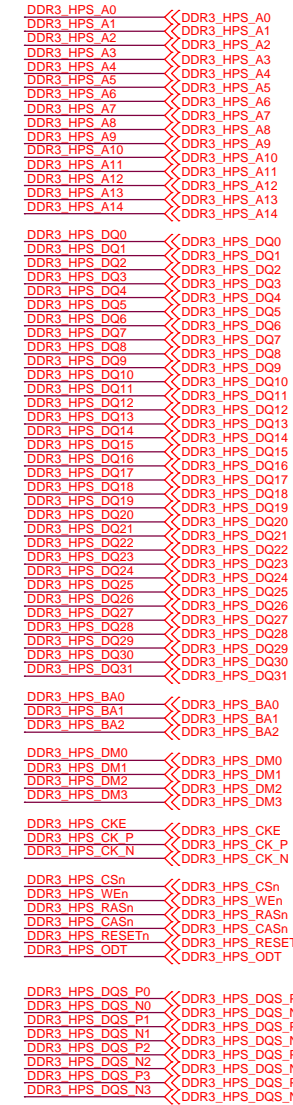
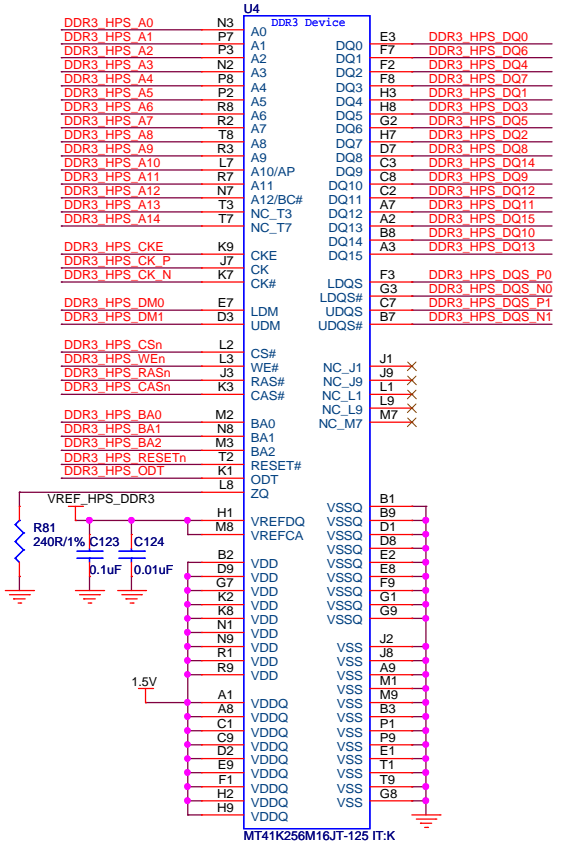
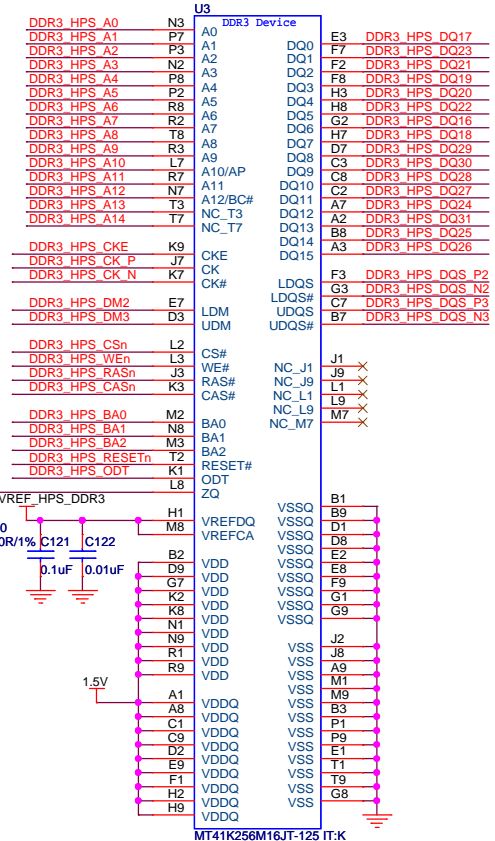
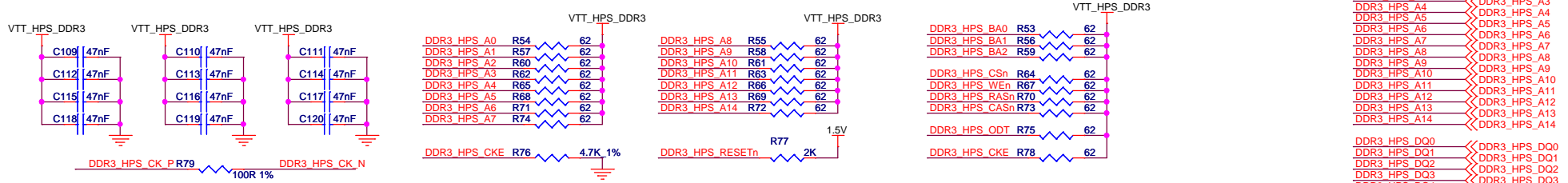


Docouple Capacitance
place near pin6, pin34, pin40;



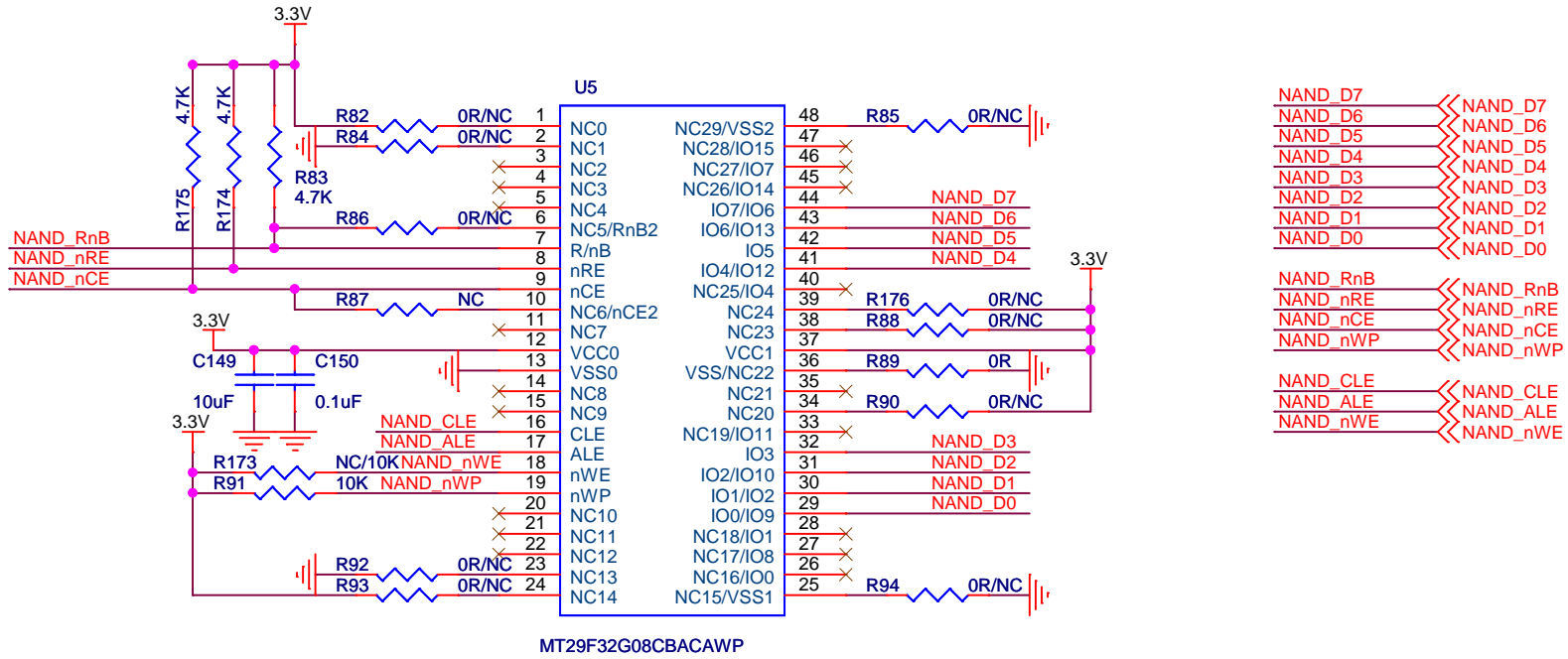
Title		<Title>	Rev
Size	Document Number	<Doc>	
B	<Doc>	<Rev Code>	
Date:	Friday, May 23, 2014	Sheet	5 of 11

DDR3 SDRAM



Title	<Title>	Rev	<Rev Code>
Size	Document Number		
B	<Doc>		
Date:	Friday, May 23, 2014	Sheet	6 of 11

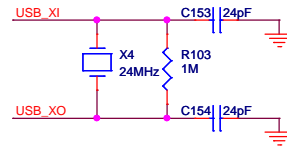
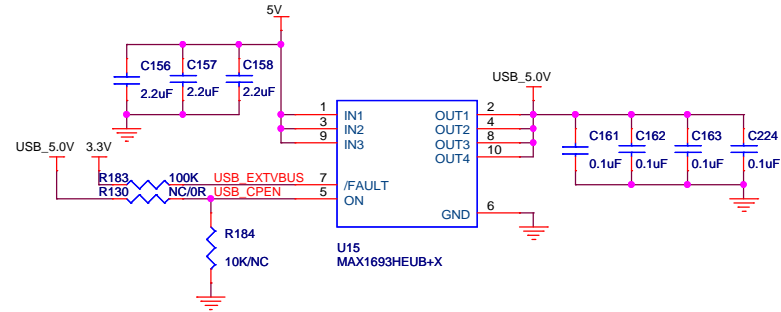
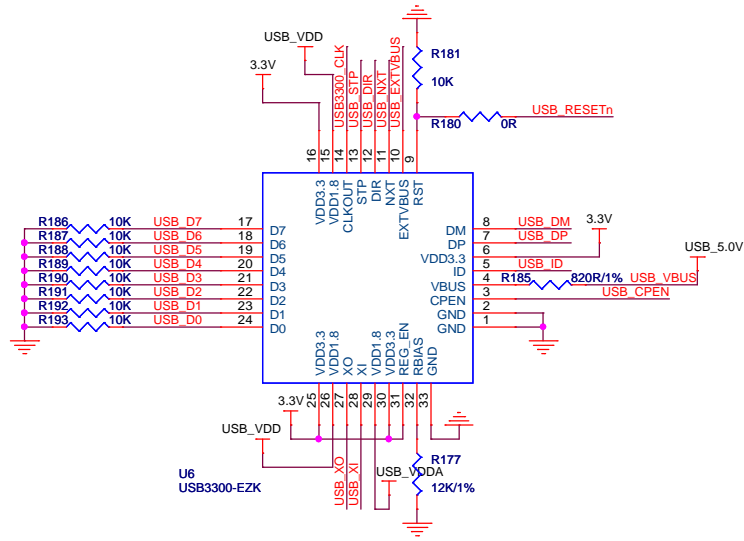
NAND FLASH



MT29F32G08CBACAWP

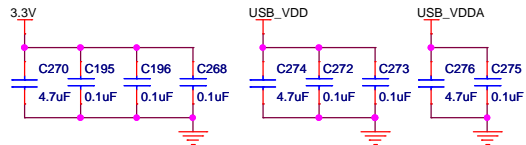
Title		
<Title>		
Size	Document Number	Rev
A	<Doc>	<RevCode>
Date:	Friday, May 23, 2014	Sheet 7 of 11

USB2.0 OTG



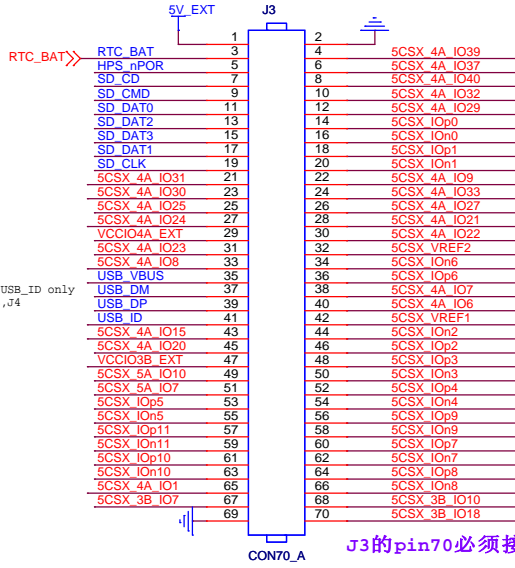
- USB_D0 <-> USB_D0
- USB_D1 <-> USB_D1
- USB_D2 <-> USB_D2
- USB_D3 <-> USB_D3
- USB_D4 <-> USB_D4
- USB_D5 <-> USB_D5
- USB_D6 <-> USB_D6
- USB_D7 <-> USB_D7
- USB_DIR <-> USB_DIR
- USB_STP <-> USB_STP
- USB_NXT <-> USB_NXT
- USB_RESETrn <-> USB_RESETrn
- USB_DM <-> USB_DM
- USB_DP <-> USB_DP
- USB3300_CLK <-> USB3300_CLK
- USB_ID <-> USB_ID
- USB_VBUS <-> USB_VBUS

Place Near USB3300-EZK



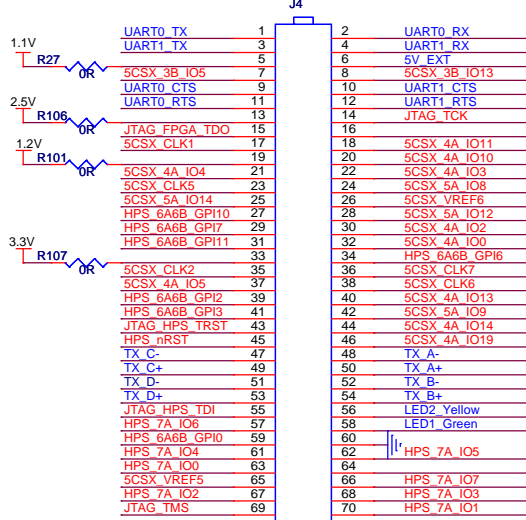
Title		<Title>
Size	Document Number	Rev
B	<Doc>	<Rev Code>
Date:	Friday, May 23, 2014	Sheet 8 of 11

J3的pin21-pin28必须接GPIO



J3的pin70必须接GPIO

J4的pin7和pin8必须接GPIO



J4的pin18必须接GPIO

J4的pin32必须接GPIO

J4的pin62必须接GPIO

J4的pin70必须接GPIO

5CSX_IOP[0:11]
5CSX_IOPn[0:11]
5CSX_CLKn
5CSX_CLKp

5CSX_3B_IO[0:23]
5CSX_4A_IO[0:44]
5CSX_5A_IO[0:14]

HPS_nRST
HPS_nPOR

JTAG_TCK
JTAG_HPS_TDI
JTAG_TMS
JTAG_FPGA_TDO
JTAG_HPS_TRST

Micro SD

SD_CMD
SD_CLK
SD_DAT0
SD_DAT2
SD_DAT3
SD_CD

PHY

TX_A-
TX_A+
TX_B-
TX_B+
TX_C-
TX_C+
TX_D-
TX_D+
LED1_Green
LED2_Yellow

UART to USB

UART0_CTS
UART0_RTS
UART0_RX
UART0_TX
UART1_CTS
UART1_RTS
UART1_RX
UART1_TX

VCCIO3B_EXT
VCCIO4A_EXT

USB

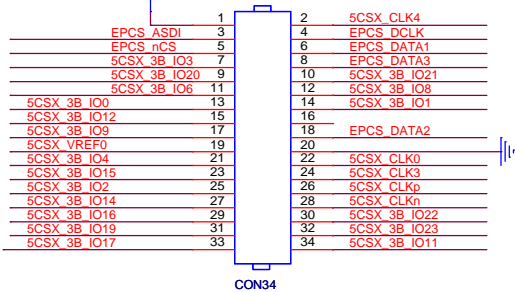
USB_DM
USB_DP
USB_ID
USB_VBUS

EPCS

EPCS_DCLK
EPCS_ASDI
EPCS_DATA1
EPCS_DATA2
EPCS_DATA3
EPCS_nCS

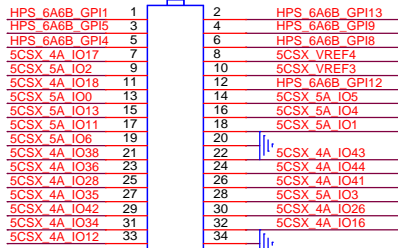
5V_EXT

J5



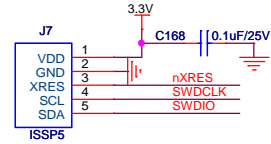
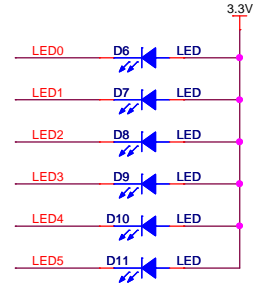
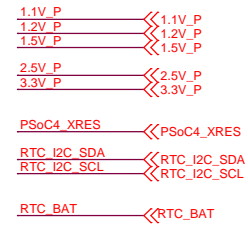
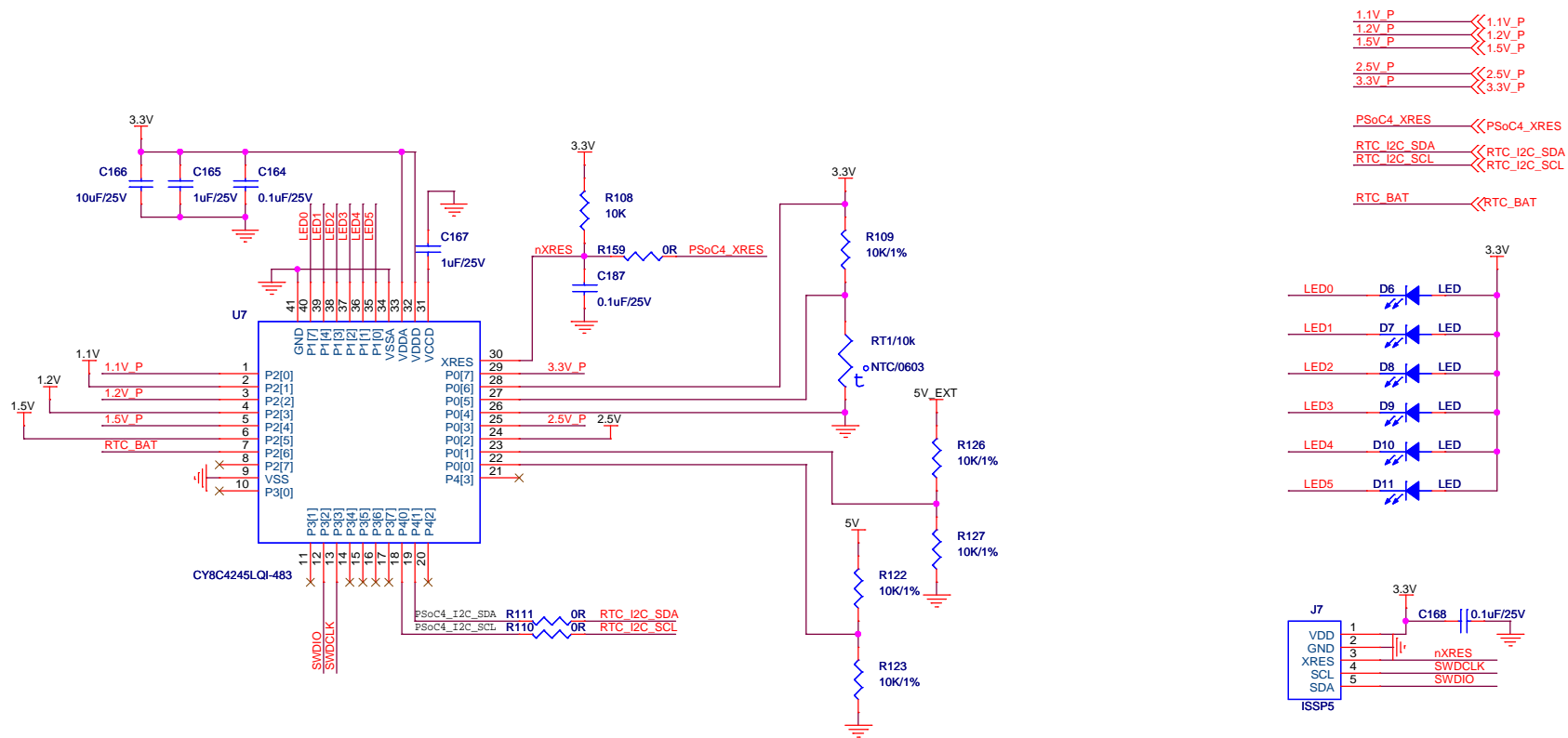
CON34

J6



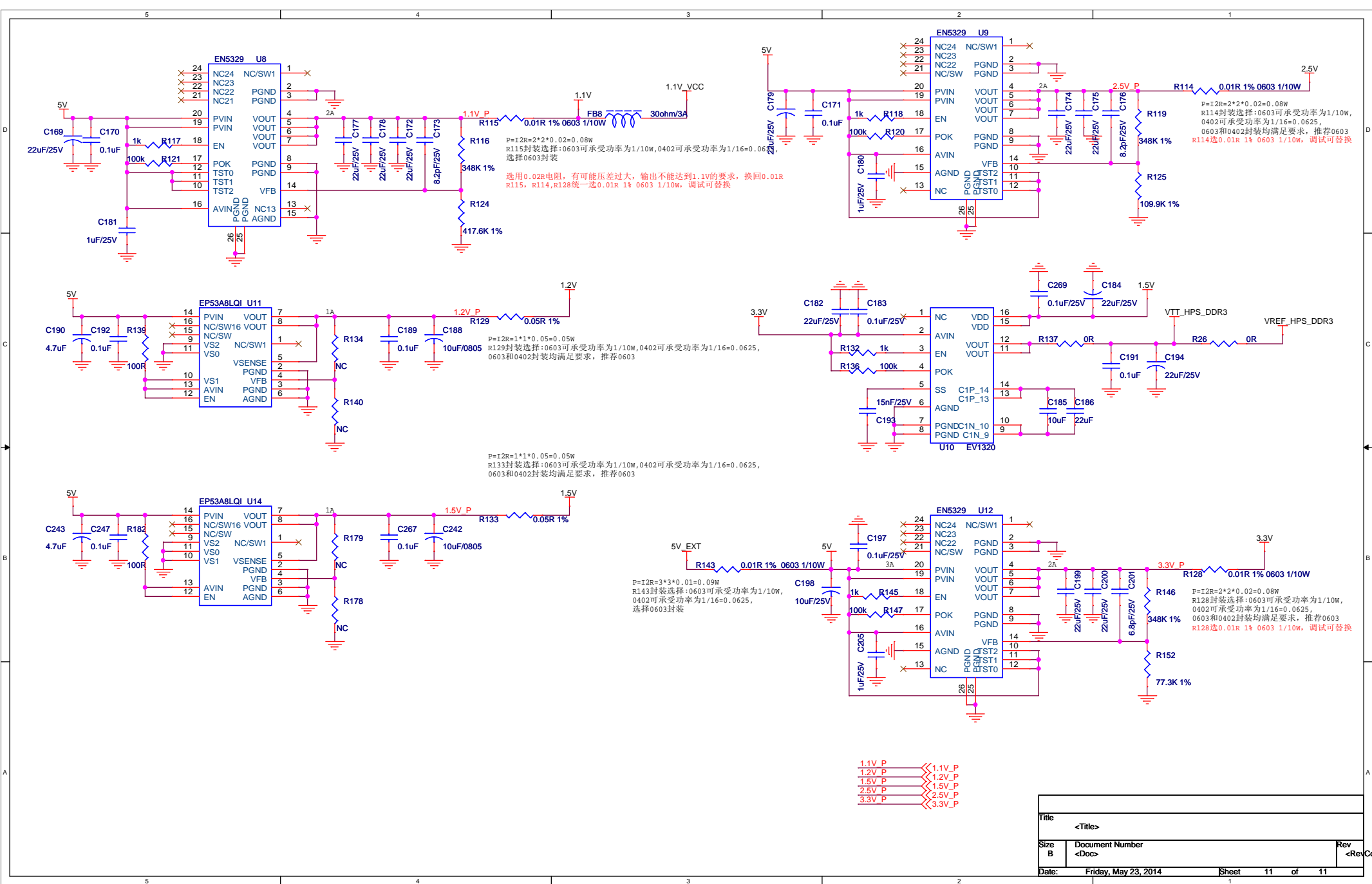
CON34

Title <Title>		
Size B	Document Number <Doc>	Rev <Rev Code>
Date: Friday, May 23, 2014	Sheet 9	of 11



Note: P3,P4口不要用做电源采样信号输入

Title		
<Title>		
Size	Document Number	Rev
B	<Doc>	<Rev Code>
Date:	Friday, May 23, 2014	Sheet 10 of 11



Title		<Title>
Size	Document Number	Rev
B	<Doc>	<Rev Code>
Date:	Friday, May 23, 2014	Sheet 11 of 11