

PHY1		PHY2		LCD	
5CSX 5A IO13	PHY_RXD0	5CSX 3B IO2	<< 5CSX_3B_IO2	5CSX 4A IO17	LCD_VD0
5CSX 5A IO4	PHY_RXD1	5CSX 3B IO14	<< 5CSX_3B_IO14	5CSX 4A IO19	LCD_VD1
5CSX 5A IO1	PHY_RXD2	5CSX 3B IO7	<< 5CSX_3B_IO7	5CSX 4A IO14	LCD_VD2
5CSX 5A IO2	PHY_RXD3	5CSX 3B IO10	<< 5CSX_3B_IO10	5CSX 4A IO13	LCD_VD3
5CSX CLK3	PHY_RX_CLK	5CSX 3B IO18	<< 5CSX_3B_IO18	5CSX 4A IO5	LCD_VD4
5CSX 5A IO5	PHY_RX_DV	5CSX 3B IO11	<< 5CSX_3B_IO11	5CSX 4A IO0	LCD_VD5
5CSX 5A IO9	PHY_TXD0	5CSX 3B IO16	<< 5CSX_3B_IO16	5CSX 4A IO18	LCD_VD6
5CSX 5A IO10	PHY_TXD1	5CSX 3B IO5	<< 5CSX_3B_IO5	5CSX 4A IO2	LCD_VD7
5CSX 5A IO8	PHY_TXD2	5CSX 3B IO13	<< 5CSX_3B_IO13	5CSX 4A IO3	LCD_VD8
5CSX CLK2	PHY_TXD3	5CSX 3B IO3	<< 5CSX_3B_IO3	5CSX 4A IO20	LCD_VD9
5CSX 5A IO0	PHY_TX_CLK	5CSX 3B IO12	<< 5CSX_3B_IO12	5CSX 4A IO15	LCD_VD10
5CSX 5A IO1	PHY_TX_EN	5CSX 3B IO9	<< 5CSX_3B_IO9	5CSX 4A IO6	LCD_VD11
5CSX 5A IO6	PHY_MDC	5CSX 3B IO4	<< 5CSX_3B_IO4	5CSX 4A IO7	LCD_VD12
5CSX 5A IO3	PHY_MDIO	5CSX 3B IO15	<< 5CSX_3B_IO15	5CSX 4A IO8	LCD_VD13
5CSX 5A IO10	PHY_RESETn			5CSX 4A IO23	LCD_VD14
				5CSX 4A IO22	LCD_VD15
				5CSX 4A IO21	LCD_VD16
				5CSX 4A IO24	LCD_VD17
				5CSX 4A IO43	LCD_VD18
				5CSX 4A IO38	LCD_VD19
				5CSX 4A IO44	LCD_VD20
				5CSX 4A IO36	LCD_VD21
				5CSX 4A IO41	LCD_VD22
				5CSX 4A IO28	LCD_VD23
				5CSX 4A IO35	TOUT1
				5CSX 4A IO26	EINT10
				5CSX 4A IO42	LCD_nRESET
				5CSX 4A IO4	LCD_VDEN
				5CSX 4A IO32	LCD_VSYNC
				5CSX 4A IO29	LCD_VSYNC
				5CSX 4A IO9	LCD_VCLK
				5CSX 4A IO31	LCD_SCL
				5CSX 4A IO33	LCD_SDA
				5CSX 4A IO30	EINT14
				5CSX 4A IO27	EINT15

Micro SD Card Socket	
SD_DAT0	<< SD_DAT0
SD_DAT1	<< SD_DAT1
SD_DAT2	<< SD_DAT2
SD_DAT3	<< SD_DAT3
SD_CMD	<< SD_CMD
SD_CLK	<< SD_CLK

USB to UART	
UART0_CTS	<< UART0_CTS
UART0_RTS	<< UART0_RTS
UART0_RX	<< UART0_RX
UART0_TX	<< UART0_TX
5CSX 4A IO4	<< UART0_RI#
5CSX 4A IO10	<< UART0_SLEEP#

EPCS_DCLK	<< EPCS_DCLK
EPCS_ASADI	<< EPCS_ASADI
EPCS_DATA1	<< EPCS_DATA1
EPCS_DATA2	<< EPCS_DATA2
EPCS_DATA3	<< EPCS_DATA3
EPCS_nCS	<< EPCS_nCS

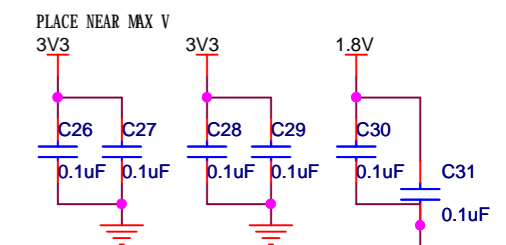
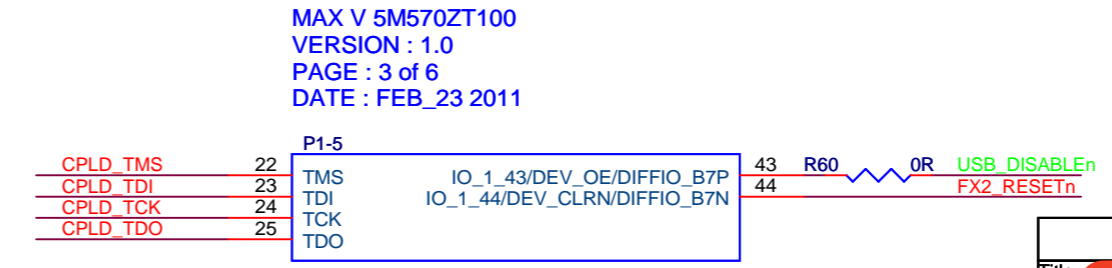
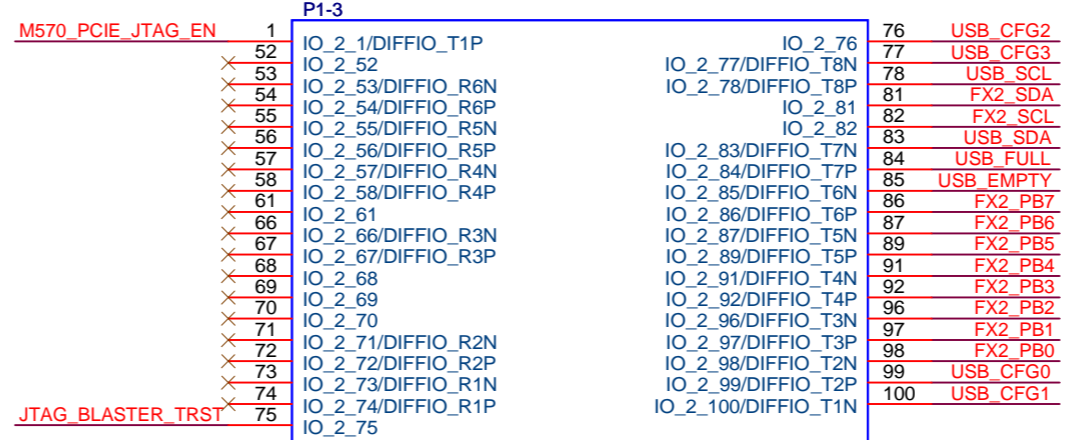
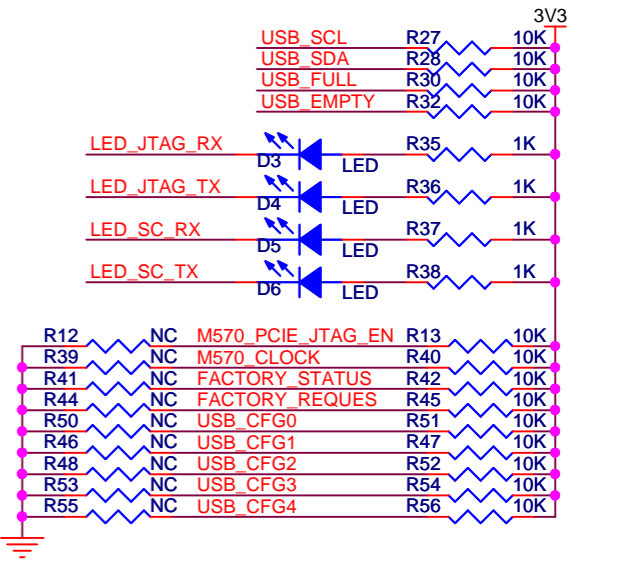
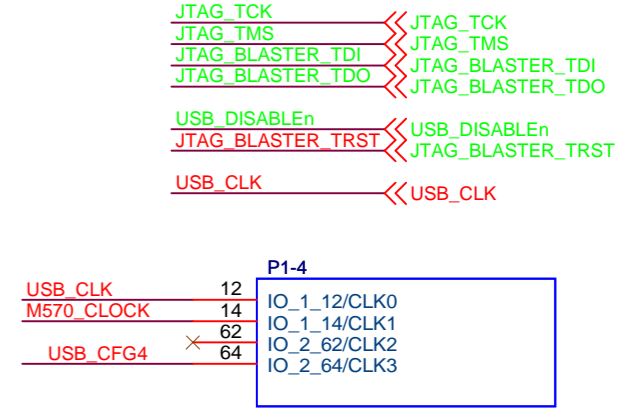
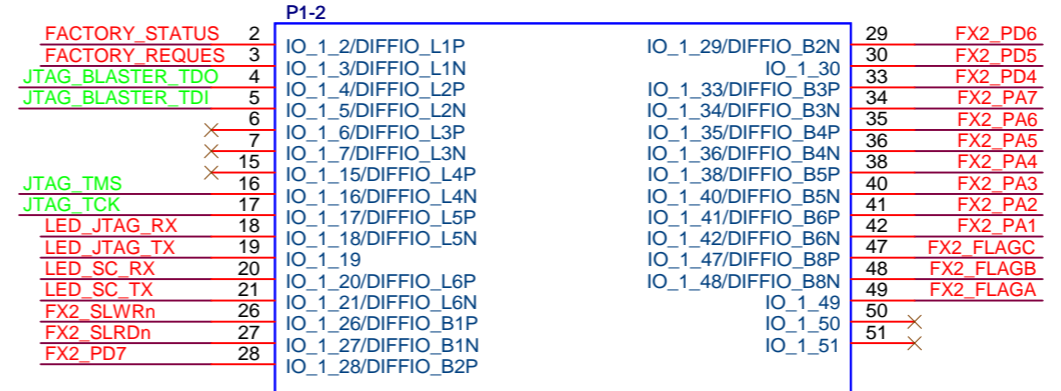
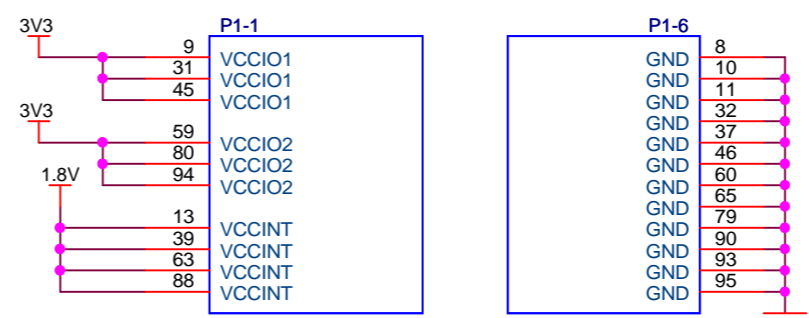
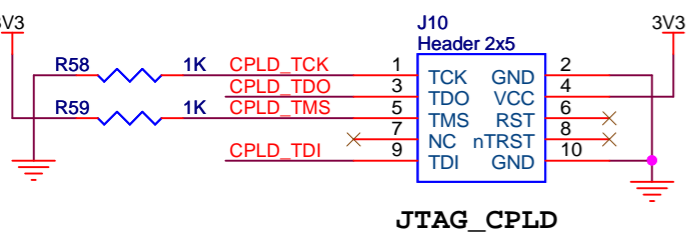
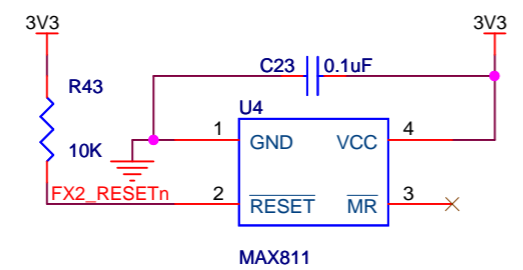
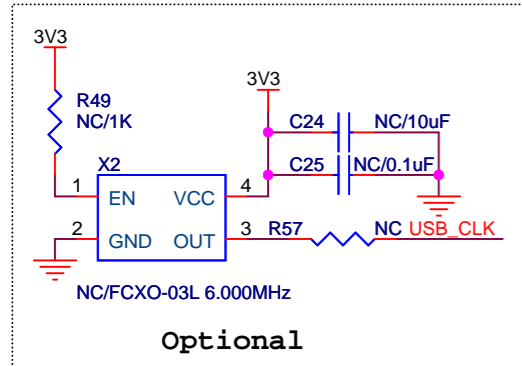
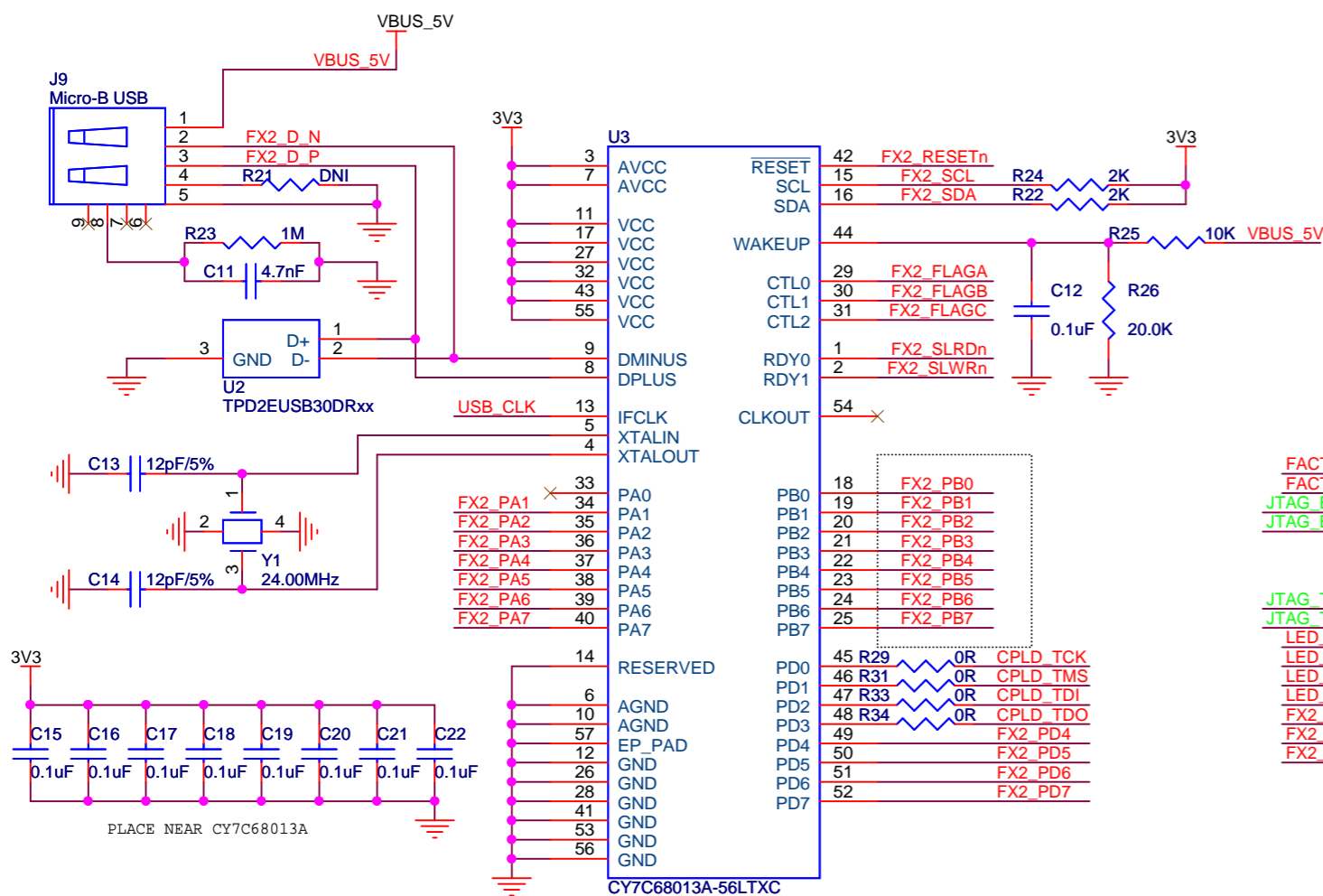
5CSX 4A IO11	<< USB_CLK
CAN_TX	<< CAN_TX
CAN_RX	<< CAN_RX

5CSX 4A IO25	<< BUTTON0
5CSX 4A IO1	<< BUTTON1
HPS 7A IO0	<< BUTTON2
HPS 7A IO4	<< BUTTON3
5CSX 4A IO40	<< Dial_Switch0
5CSX 4A IO37	<< Dial_Switch1
5CSX 4A IO39	<< Dial_Switch2
5CSX 5A IO1	<< Dial_Switch3
5CSX 4A IO12	<< LED0_FPGA
5CSX 4A IO16	<< LED1_FPGA
HPS 7A IO1	<< LED2_HPS
HPS 7A IO2	<< LED3_HPS
HPS 7A IO3	<< LED4_HPS

FINAL

Title	<Title> SoCBaseBoard3.1 (Final)	
Size	Document Number	Rev
B	<Doc>	<RevCode>
Date:	Saturday, January 31, 2015	Sheet 1 of 7

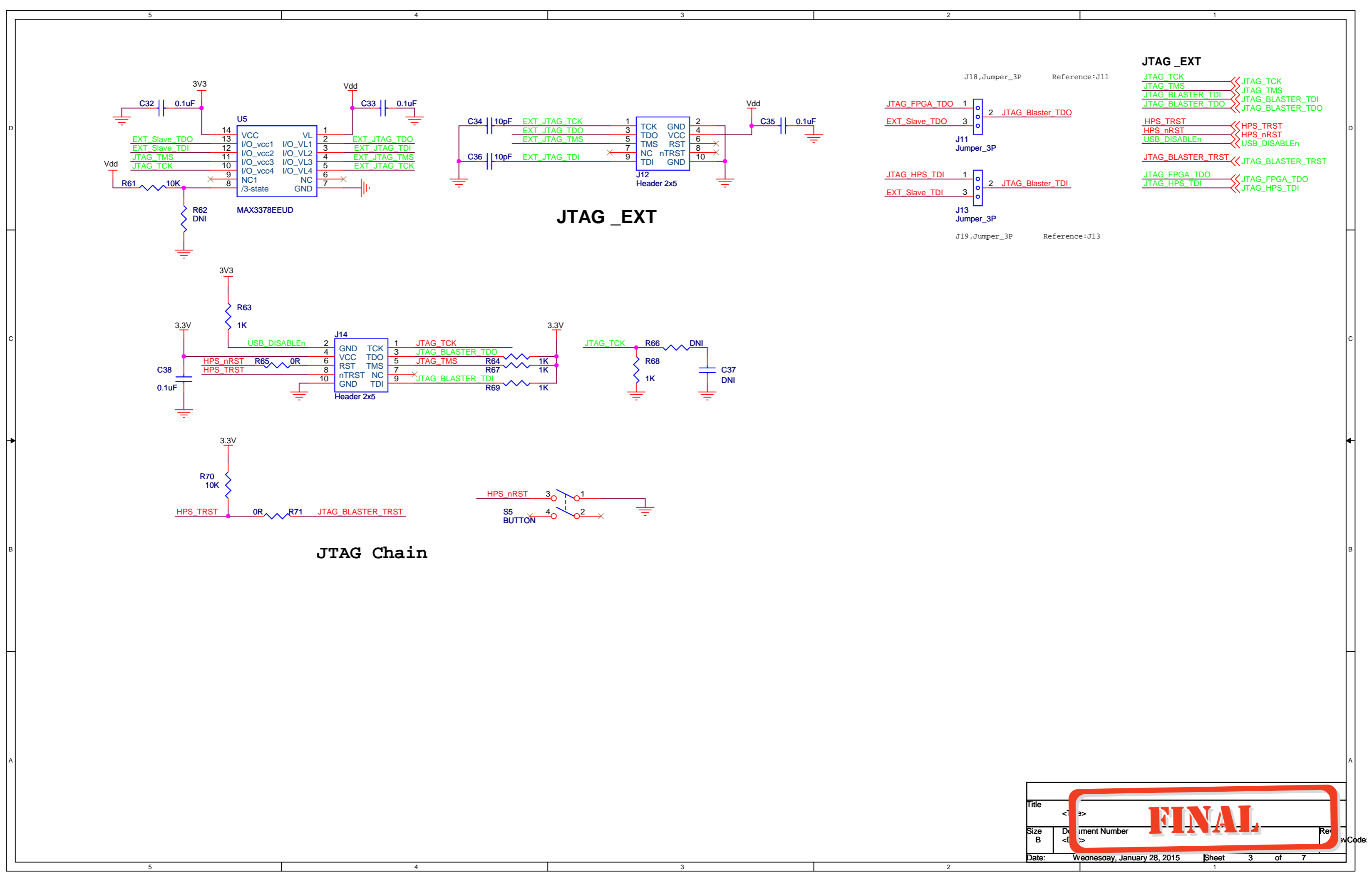
On-Board USB BlasterII



MAX V 5M570ZT100
VERSION : 1.0
PAGE : 5 of 6
DATE : FEB_23 2011

Title	<Title>		Rev	<Rev Code>
Size	Document Number			
B	<Doc>			
Date:	Saturday, January 21, 2012			

FINAL



JTAG_EXT

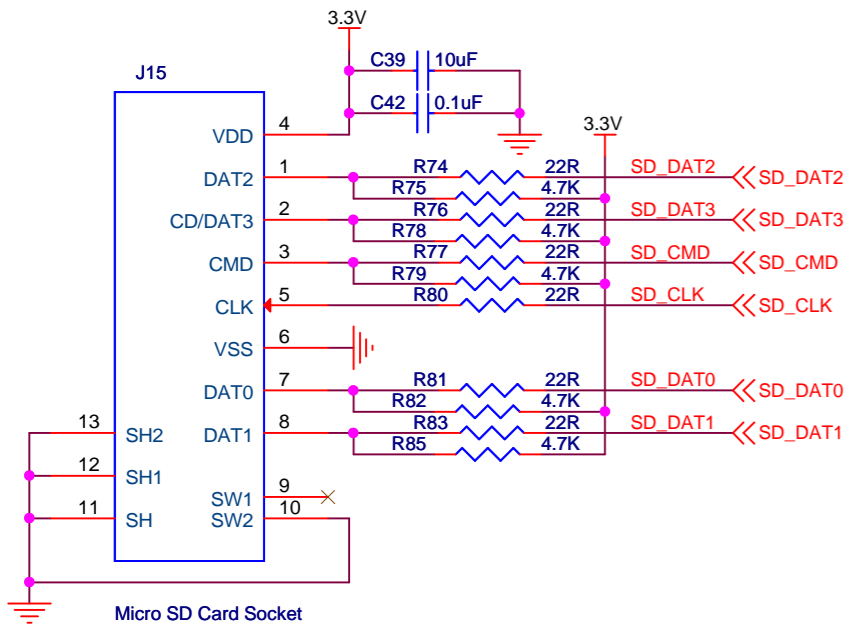
JTAG_TCK <-> JTAG_TCK
 JTAG_TMS <-> JTAG_TMS
 JTAG_BLAISTER_TDI <-> JTAG_BLAISTER_TDI
 JTAG_BLAISTER_TDO <-> JTAG_BLAISTER_TDO

HPS_TRST <-> HPS_TRST
 HPS_nRST <-> HPS_nRST
 USB_DISABLEn <-> USB_DISABLEn

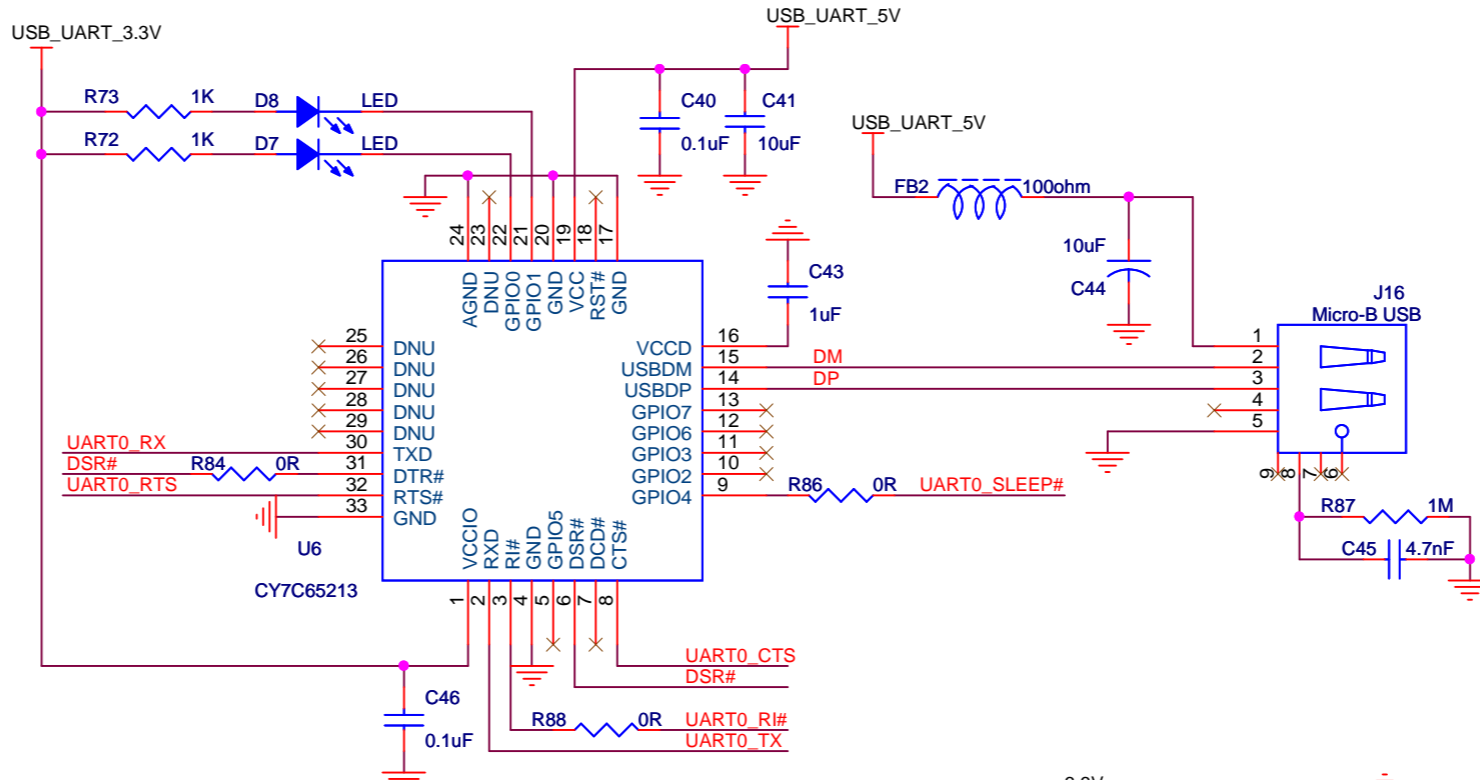
JTAG_BLAISTER_TRST <-> JTAG_BLAISTER_TRST

JTAG_FPGA_TDO <-> JTAG_FPGA_TDO
 JTAG_HPS_TDI <-> JTAG_HPS_TDI

Title	< >	FINAL	Rev	< >
Size	B		Document Number	< >
Date:	Wednesday, January 28, 2015	Sheet	3	of 7



Micro SD Card Socket



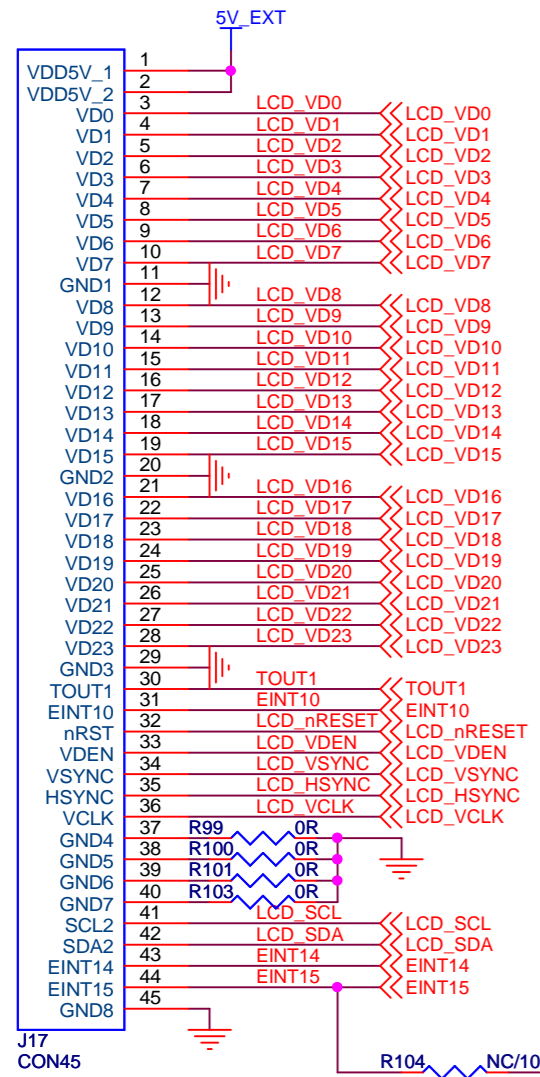
USB to UART

- USB to UART**
- UART0_CTS ↔ UART0_CTS
 - UART0_RTS ↔ UART0_RTS
 - UART0_RX ↔ UART0_RX
 - UART0_TX ↔ UART0_TX
 - UART0_RI# ↔ UART0_RI#
 - UART0_SLEEP# ↔ UART0_SLEEP#

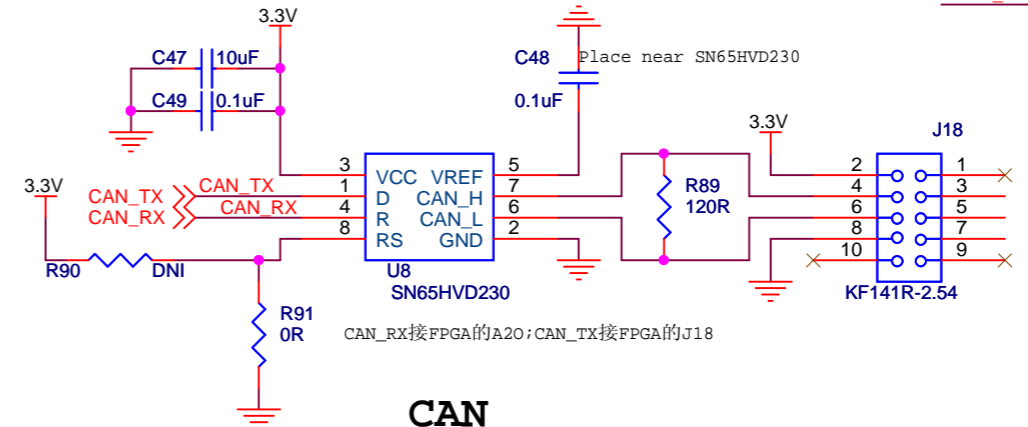
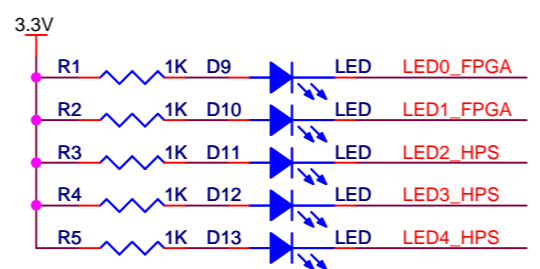
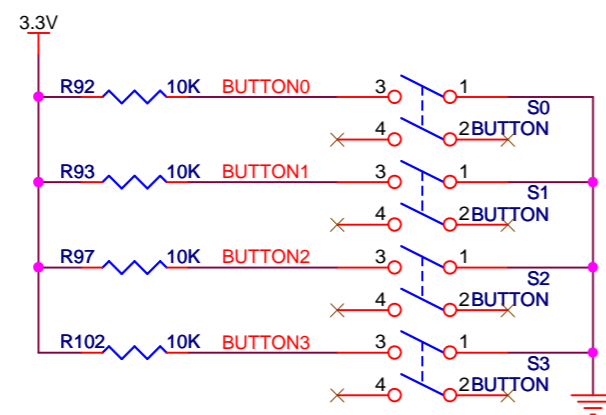
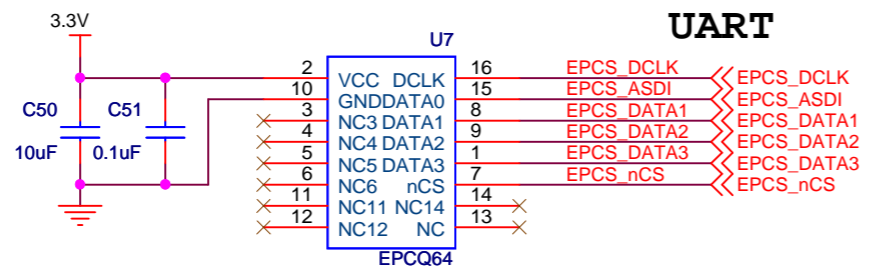
- BUTTON**
- BUTTON0 ↔ BUTTON0
 - BUTTON1 ↔ BUTTON1
 - BUTTON2 ↔ BUTTON2
 - BUTTON3 ↔ BUTTON3

- Dial_Switch**
- Dial_Switch0 ↔ Dial_Switch0
 - Dial_Switch1 ↔ Dial_Switch1
 - Dial_Switch2 ↔ Dial_Switch2
 - Dial_Switch3 ↔ Dial_Switch3

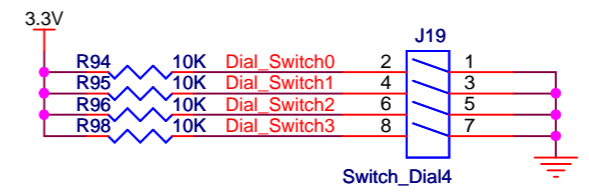
- LED**
- LED0_FPGA ↔ LED0_FPGA
 - LED1_FPGA ↔ LED1_FPGA
 - LED2_HPS ↔ LED2_HPS
 - LED3_HPS ↔ LED3_HPS
 - LED4_HPS ↔ LED4_HPS



LCD Connector



CAN

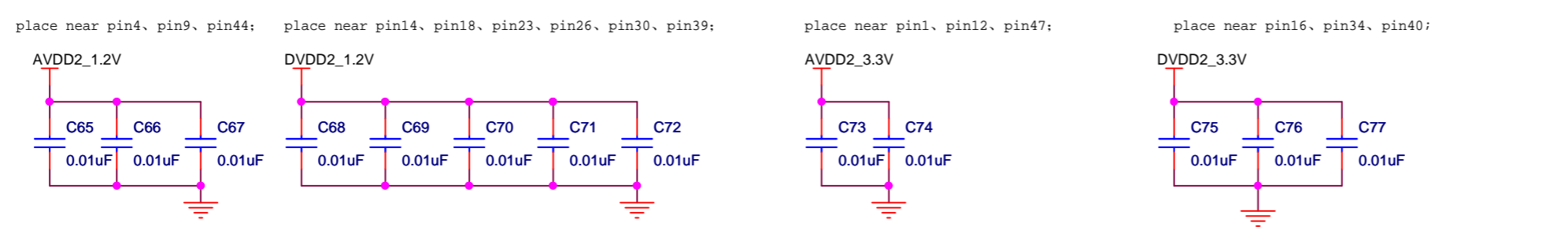
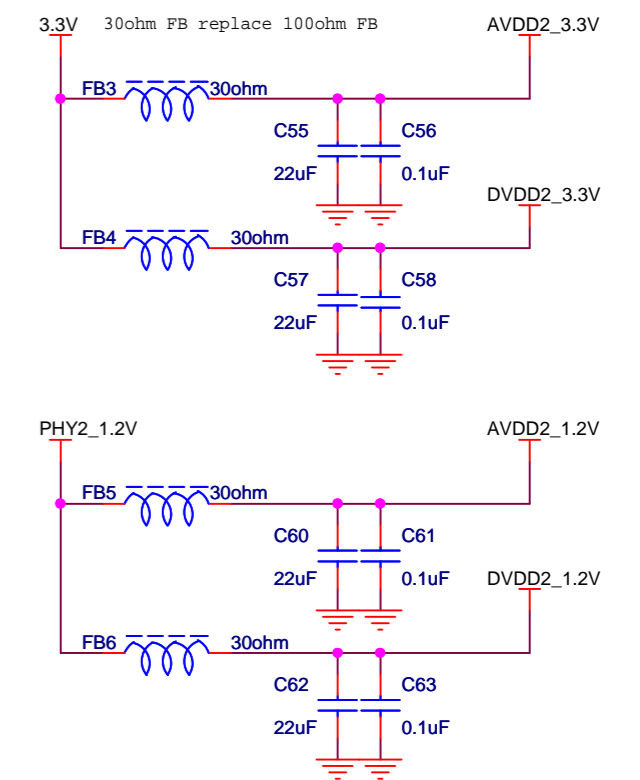
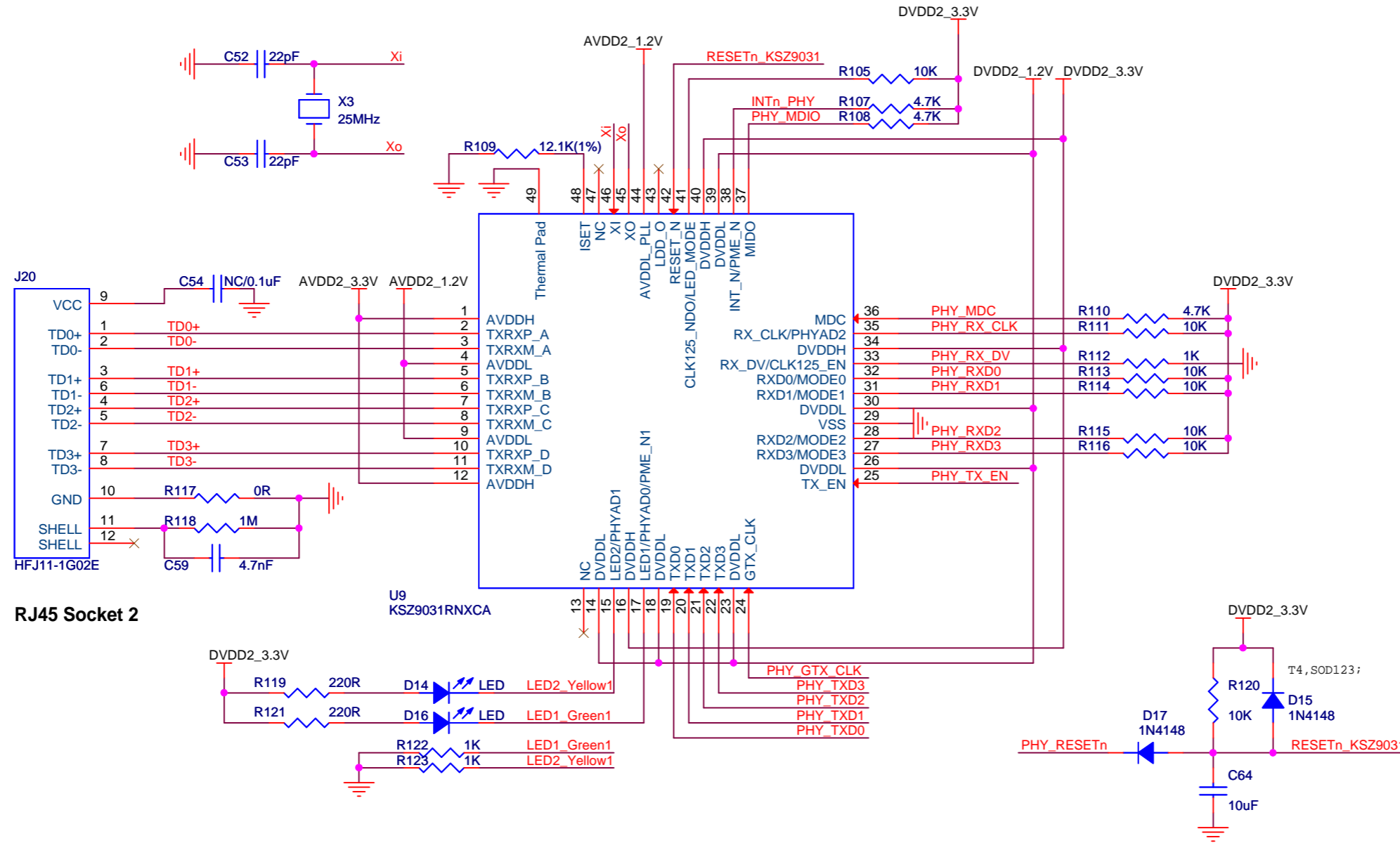


Title	<Title>		FINAL
Size B	Document Number	Rev <Rev Code>	
Date:	wednesday, January 28, 2015	Sheet 4 of 7	

10/100/1000M Ethernet 2

PHY1

PHY_RXD0	PHY_RXD0
PHY_RXD1	PHY_RXD1
PHY_RXD2	PHY_RXD2
PHY_RXD3	PHY_RXD3
PHY_RX_CLK	PHY_RX_CLK
PHY_RX_DV	PHY_RX_DV
PHY_TXD0	PHY_TXD0
PHY_TXD1	PHY_TXD1
PHY_TXD2	PHY_TXD2
PHY_TXD3	PHY_TXD3
PHY_GTX_CLK	PHY_GTX_CLK
PHY_TX_EN	PHY_TX_EN
PHY_MDC	PHY_MDC
PHY_MDIO	PHY_MDIO
INTn_PHY	PHY_INTn
PHY_RESETn	PHY_RESETn



Title	Title>
Size	Document Number
B	Doc>
Date:	Wednesday, January 26, 2015
Sheet	5 of 7

FINAL

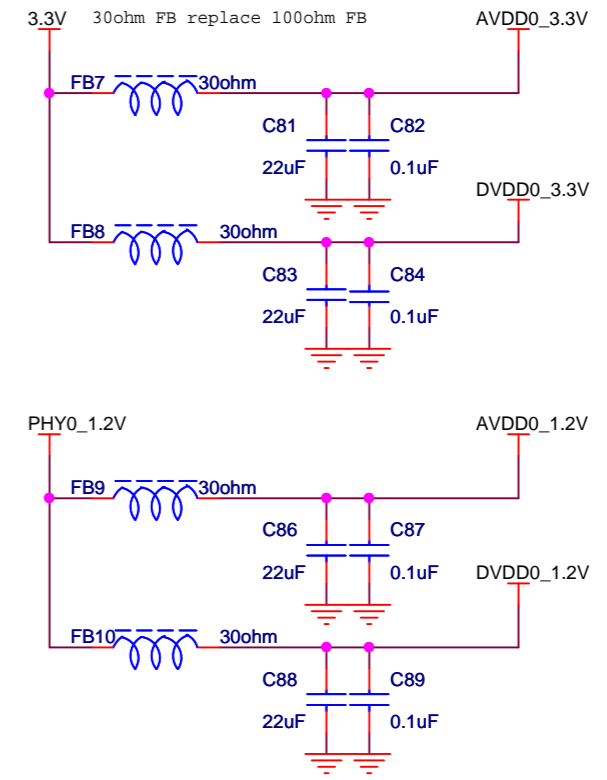
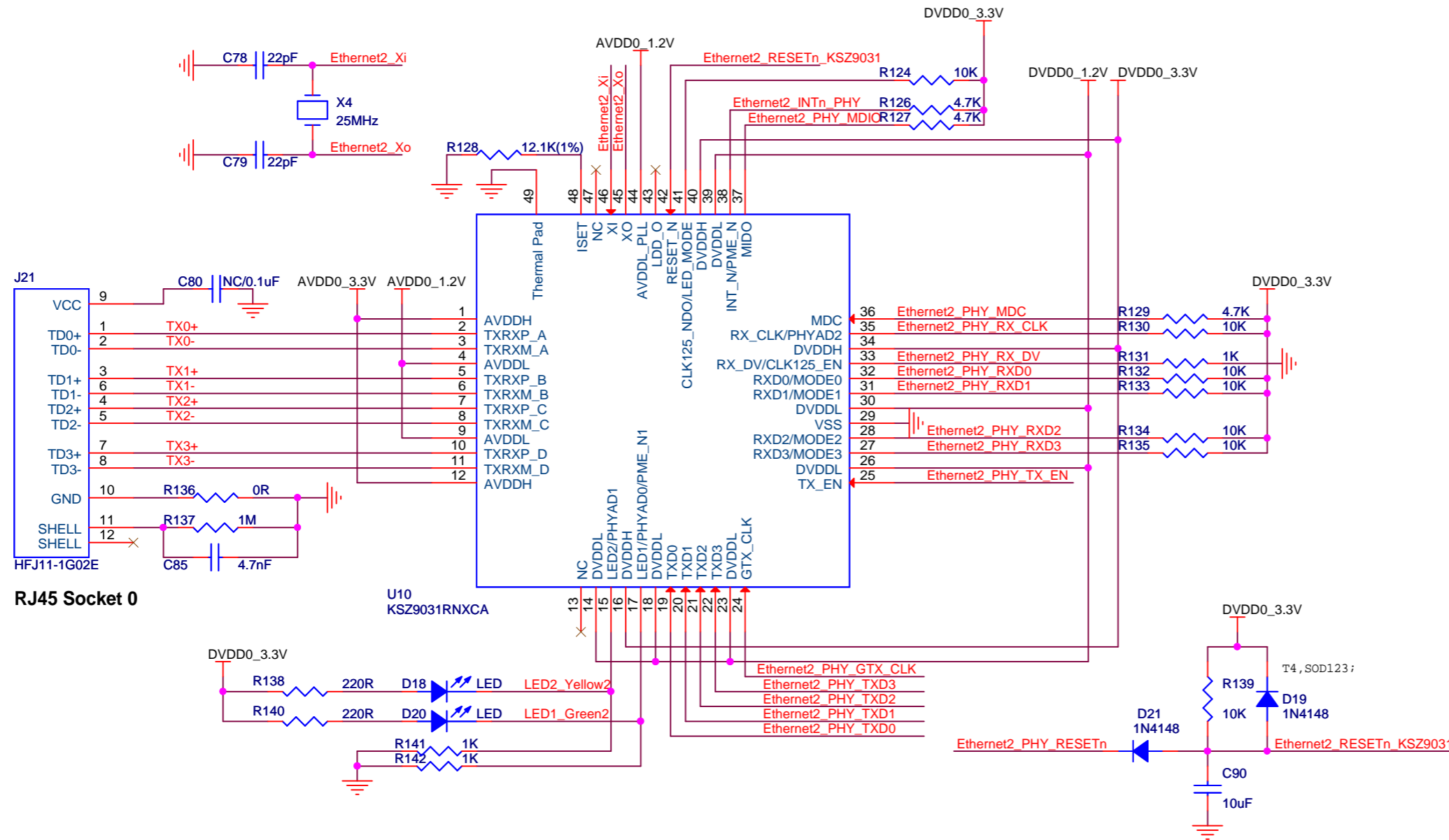
10/100/1000M Ethernet 0

- Ethernet2_PHY_RXD0 << 5CSX_3B_IO16
- Ethernet2_PHY_RXD1 << 5CSX_3B_IO14
- Ethernet2_PHY_RXD2 << 5CSX_3B_IO2
- Ethernet2_PHY_RXD3 << 5CSX_3B_IO15
- Ethernet2_PHY_RX_CLK << 5CSX_CLK1
- Ethernet2_PHY_RX_DV << 5CSX_3B_IO11

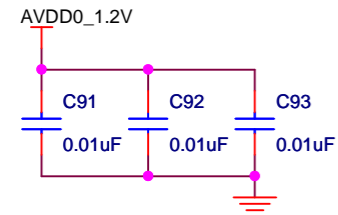
- Ethernet2_PHY_TXD0 << 5CSX_3B_IO3
- Ethernet2_PHY_TXD1 << 5CSX_3B_IO12
- Ethernet2_PHY_TXD2 << 5CSX_3B_IO9
- Ethernet2_PHY_TXD3 << 5CSX_3B_IO4
- Ethernet2_PHY_GTX_CLK << 5CSX_CLK0
- Ethernet2_PHY_TX_EN << 5CSX_3B_IO5

- Ethernet2_PHY_MDC << 5CSX_3B_IO18
- Ethernet2_PHY_MDIO << 5CSX_3B_IO7

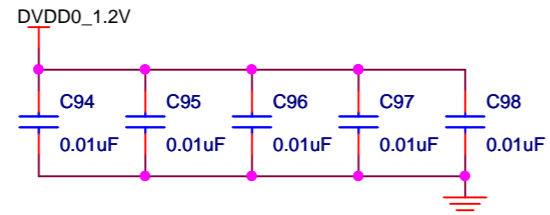
- Ethernet2_INTn_PHY << 5CSX_3B_IO13
- Ethernet2_PHY_RESEtN << 5CSX_3B_IO10



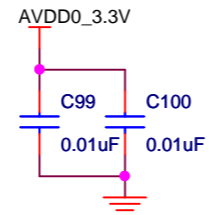
place near pin4, pin9, pin44;



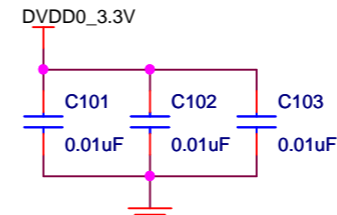
place near pin14, pin18, pin23, pin26, pin30, pin39;



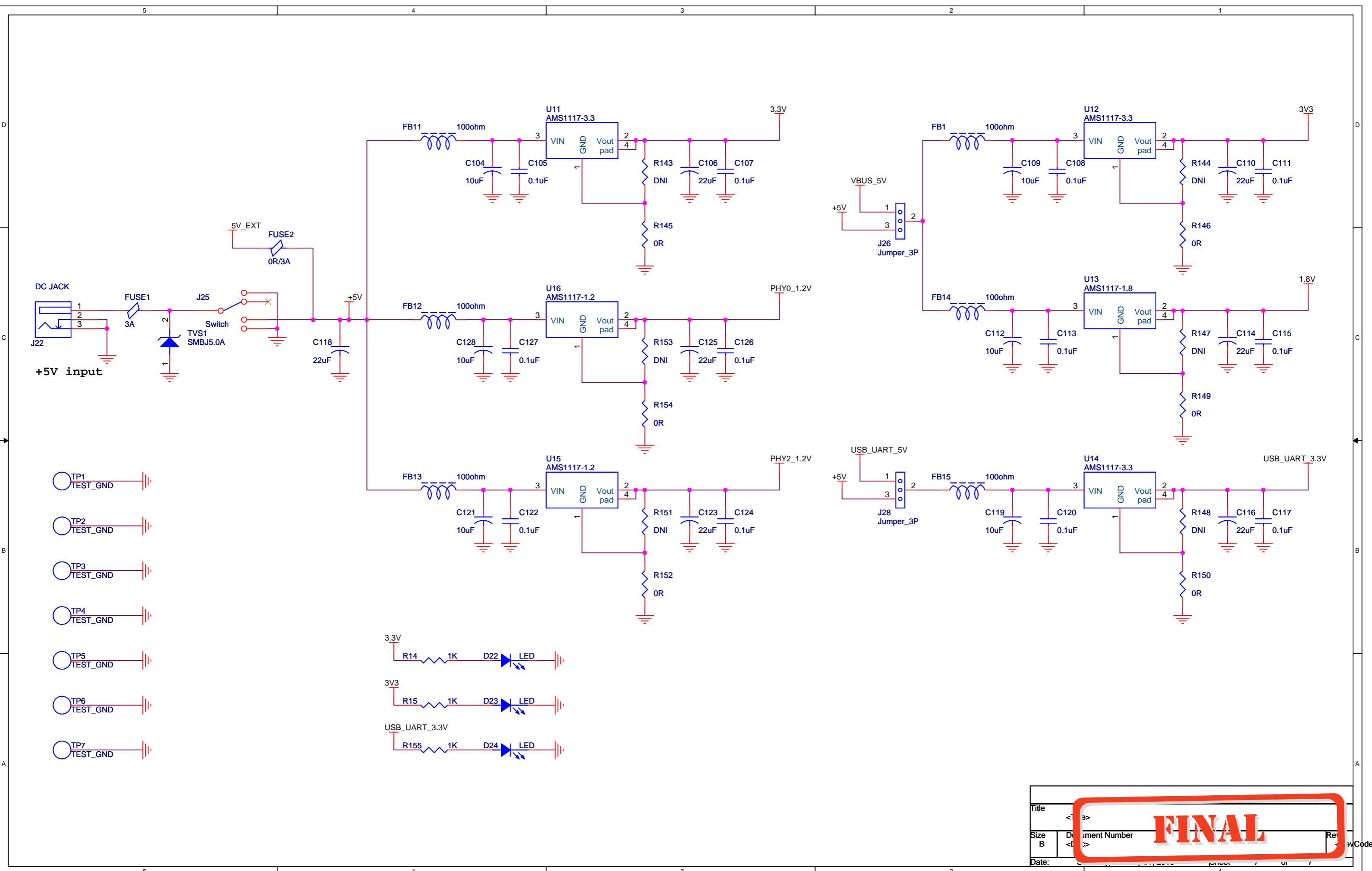
place near pin1, pin12, pin47;



place near pin16, pin34, pin40;



Title	<Title>	FINAL
Size	Document Number	
Date:	Wednesday, January 28, 2015	Sheet 6 of 7



Title	<	>	FINAL	Rev	<	>
Size	B	Document Number		Rev	<	>
Date:				Rev	<	>
				Rev	<	>