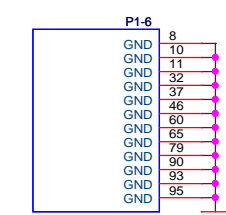
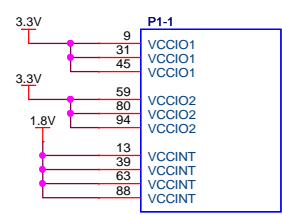
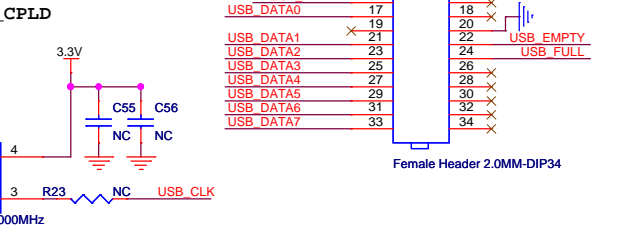
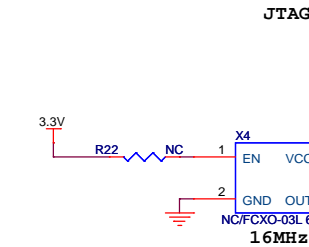
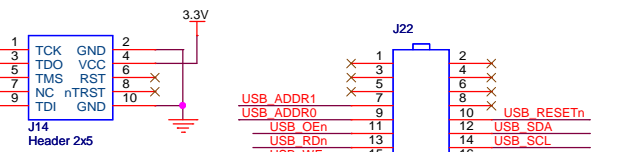
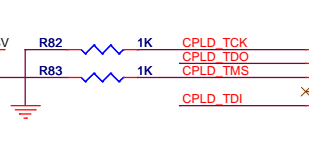
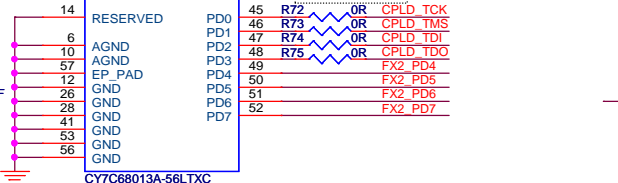
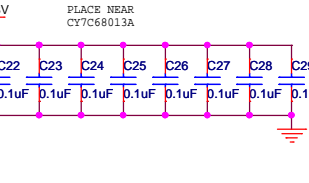
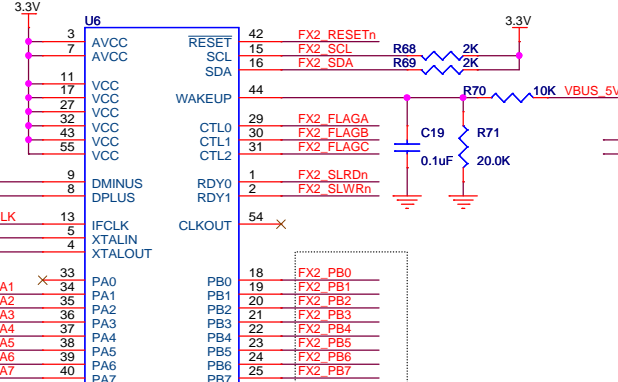
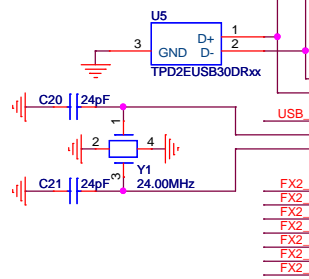
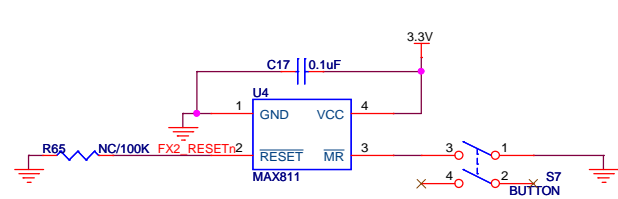
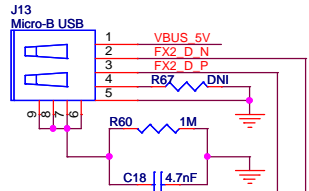




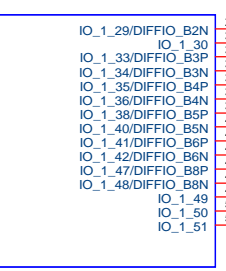
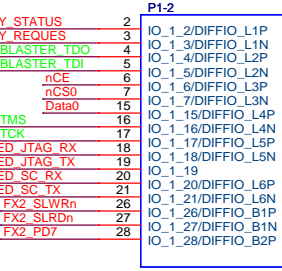
# On-Board USB BlasterII

Micro USB



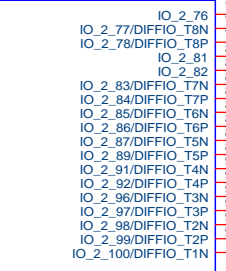
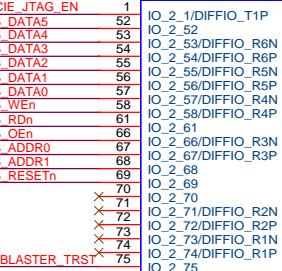
MAX V 5M570ZT100  
VERSION : 1.0  
PAGE : 1 of 6  
DATE : FEB\_23 2011

MAX V 5M570ZT100  
VERSION : 1.0  
PAGE : 6 of 6  
DATE : FEB\_23 2011



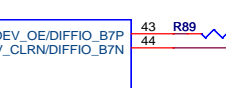
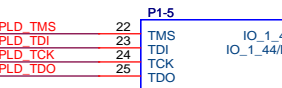
MAX V 5M570ZT100  
VERSION : 1.0  
PAGE : 2 of 6  
DATE : FEB\_23 2011

MAX V 5M570ZT100  
VERSION : 1.0  
PAGE : 3 of 6  
DATE : FEB\_23 2011



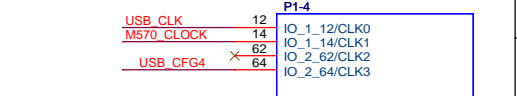
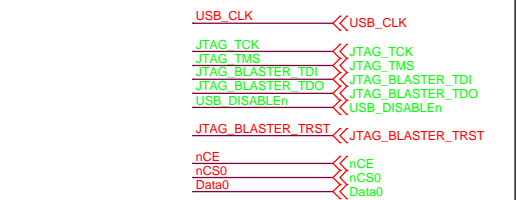
MAX V 5M570ZT100  
VERSION : 1.0  
PAGE : 3 of 6  
DATE : FEB\_23 2011

MAX V 5M570ZT100  
VERSION : 1.0  
PAGE : 4 of 6  
DATE : FEB\_23 2011

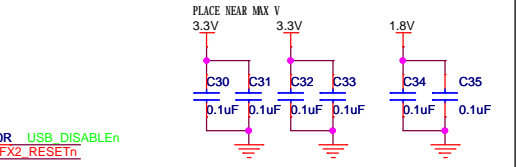
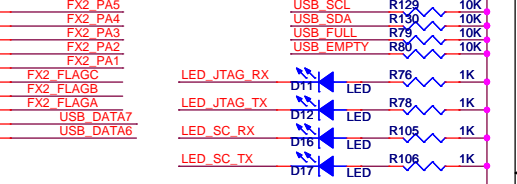


MAX V 5M570ZT100  
VERSION : 1.0  
PAGE : 5 of 6  
DATE : FEB\_23 2011

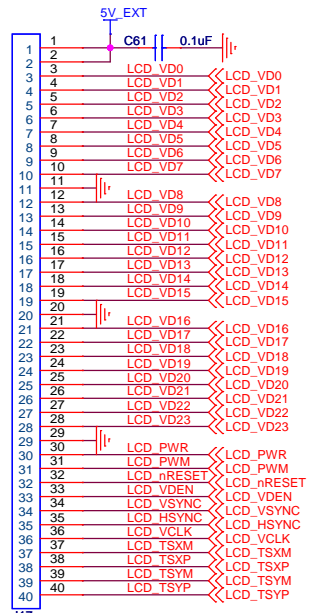
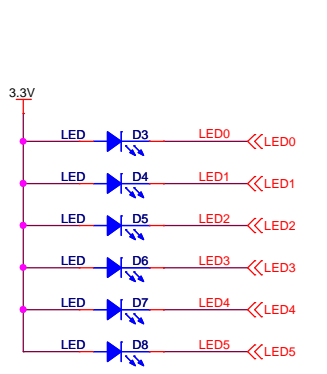
MAX V 5M570ZT100  
VERSION : 1.0  
PAGE : 6 of 6  
DATE : FEB\_23 2011



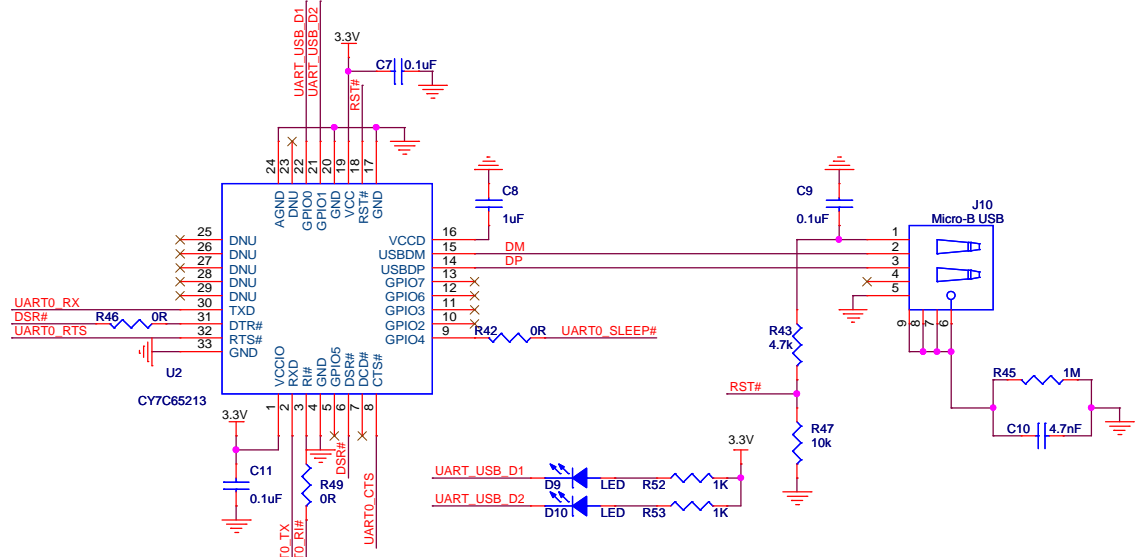
MAX V 5M570ZT100  
VERSION : 1.0  
PAGE : 4 of 6  
DATE : FEB\_23 2011



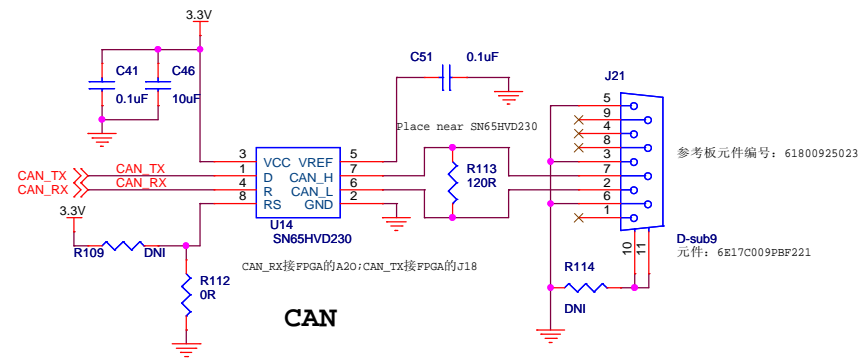
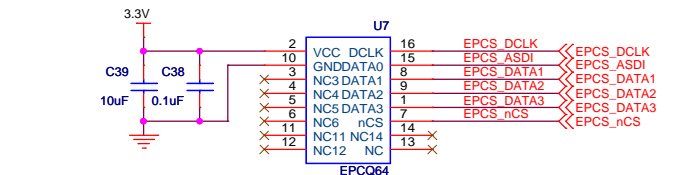
Title	<Title>	Rev	<Rev Code>
Size	Document Number		
B	<Doc>		
Date:	Friday, May 23, 2014	Sheet	2 of 6



J17 CON40 LCD Connector

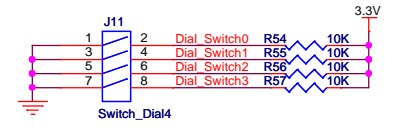
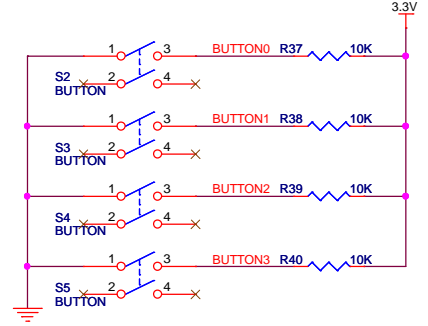


USB to UART

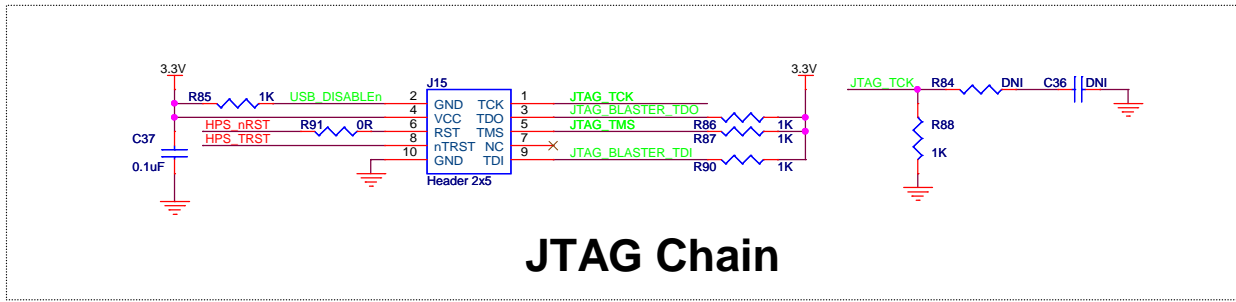


CAN

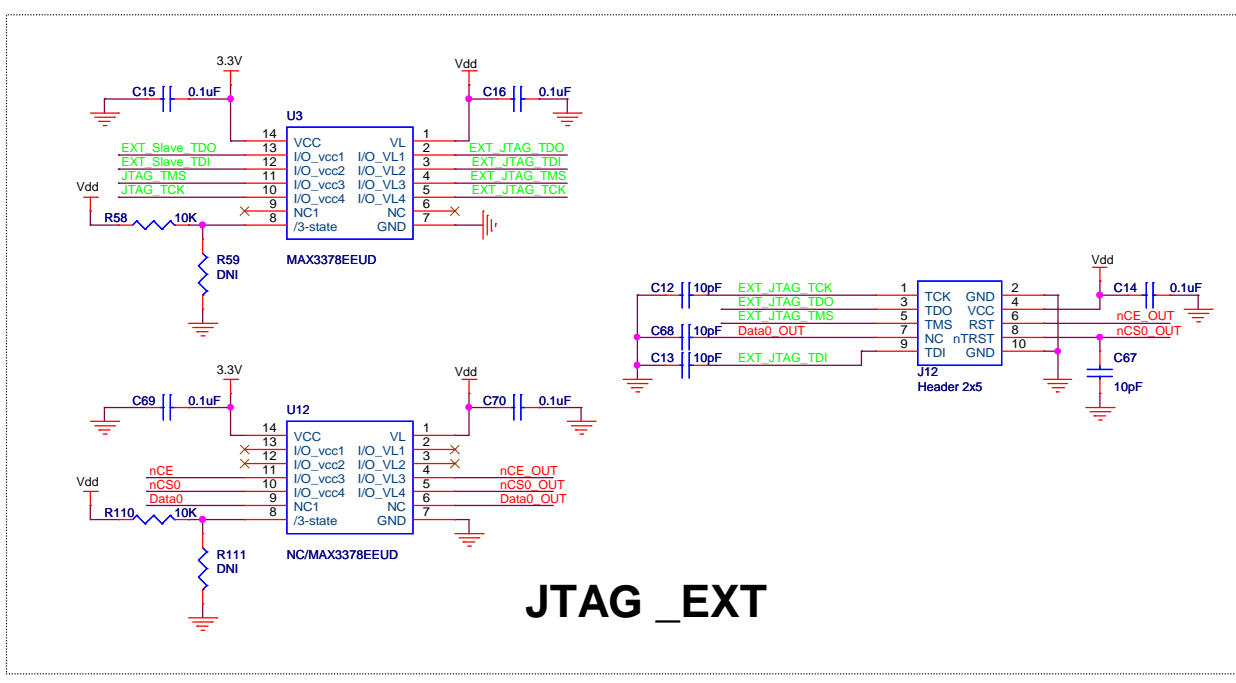
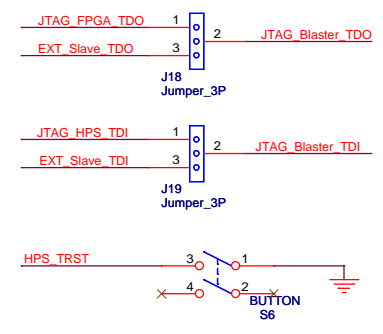
- UART0\_CTS <<> UART0\_CTS
- UART0\_RTS <<> UART0\_RTS
- UART0\_RX <<> UART0\_RX
- UART0\_TX <<> UART0\_TX
- UART0\_RI# <<> UART0\_RI#
- UART0\_SLEEP# <<> UART0\_SLEEP#
- BUTTON0 <<> BUTTON0
- BUTTON1 <<> BUTTON1
- BUTTON2 <<> BUTTON2
- BUTTON3 <<> BUTTON3
- Dial\_Switch0 <<> Dial\_Switch0
- Dial\_Switch1 <<> Dial\_Switch1
- Dial\_Switch2 <<> Dial\_Switch2
- Dial\_Switch3 <<> Dial\_Switch3



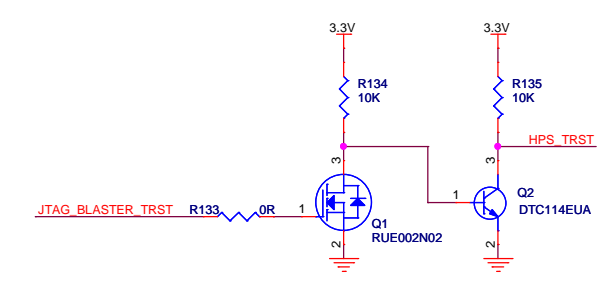
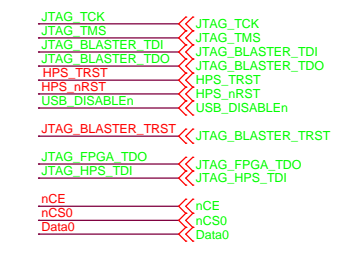
Title		<Title>
Size	Document Number	Rev
B	<Doc>	<Rev Code>
Date:	Friday, May 23, 2014	Sheet 3 of 6



## JTAG Chain

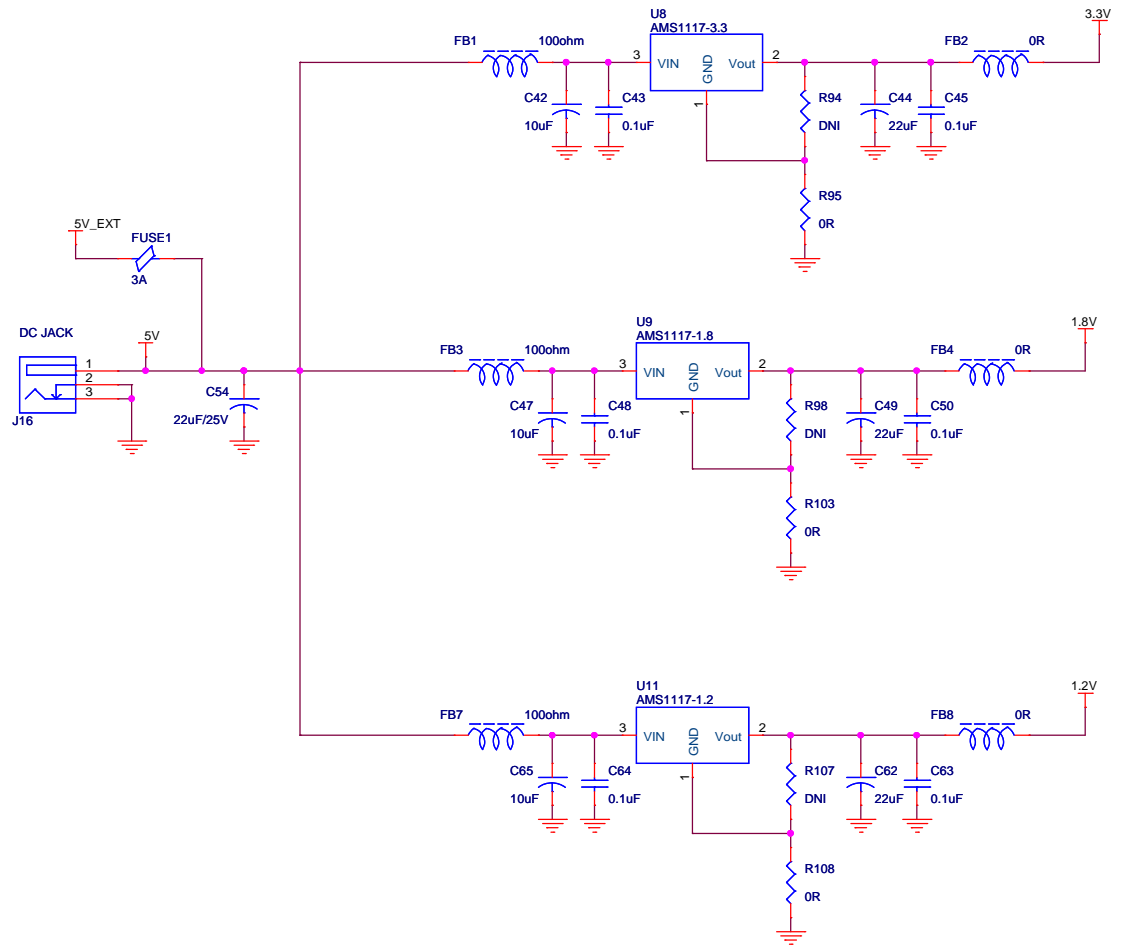


## JTAG\_EXT



Title		<Title>
Size	Document Number	Rev
B	<Doc>	<Rev Code>
Date:	Friday, May 23, 2014	Sheet 4 of 6





Title		
<Title>		
Size	Document Number	Rev
B	<Doc>	<Rev Code>
Date:	Monday, March 31, 2014	Sheet 6 of 6