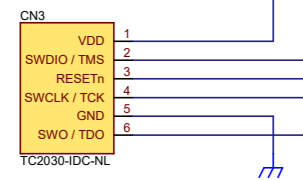
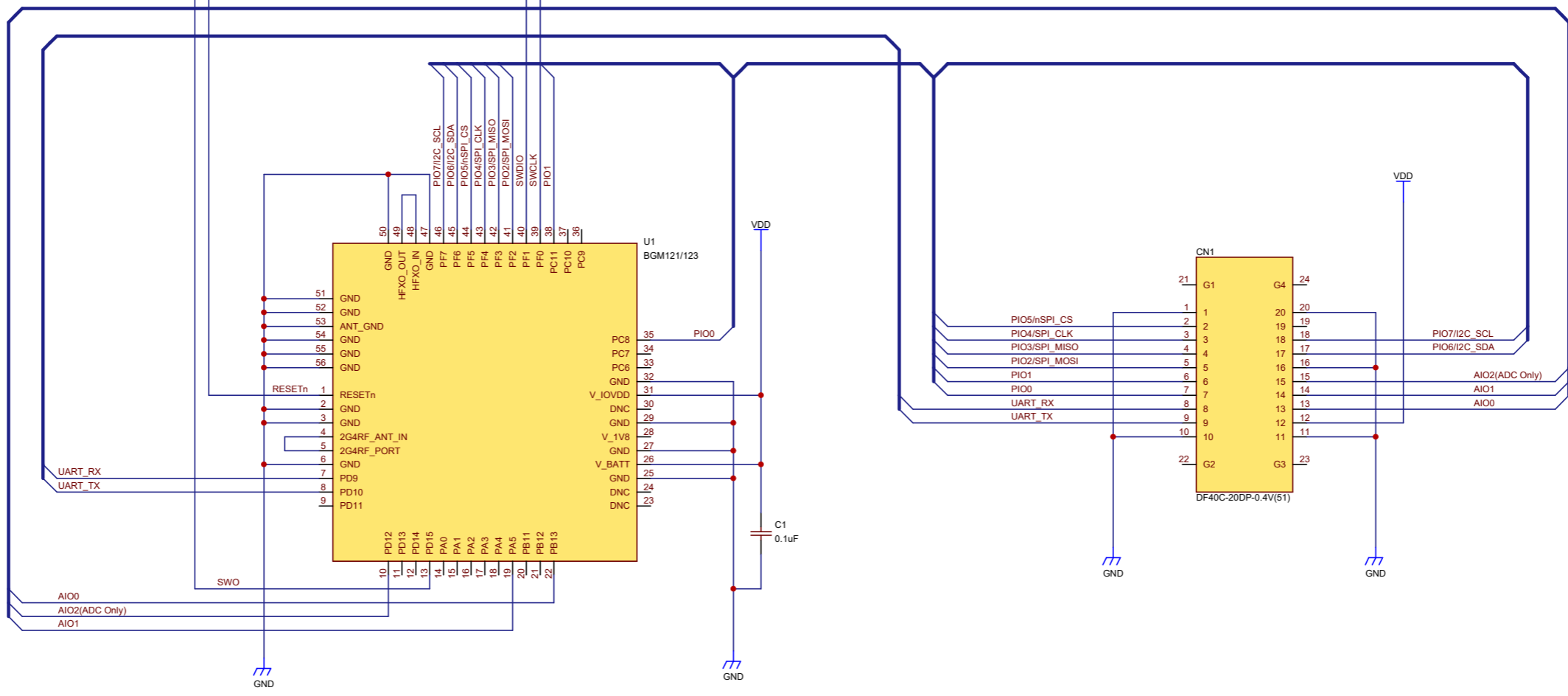
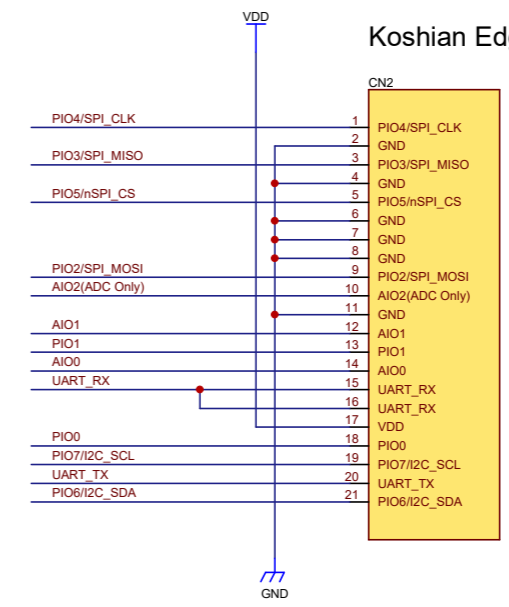


F/W Programing Port



<http://www.tag-connect.com/tag-connect-pinout-specifications>

Koshian Edge Connector



| | | | |
|----------------------------------|-------|-------|----------|
| DESIGN | D.W.G | CHECK | APPROVAL |
| Title. Koshian 3.0 Scematics | | | |
| No. MP-KSN003A-SCH | | | |
| | | | A3 |
| Frame.SheetNo / Frame.MaxSheetNo | | | |