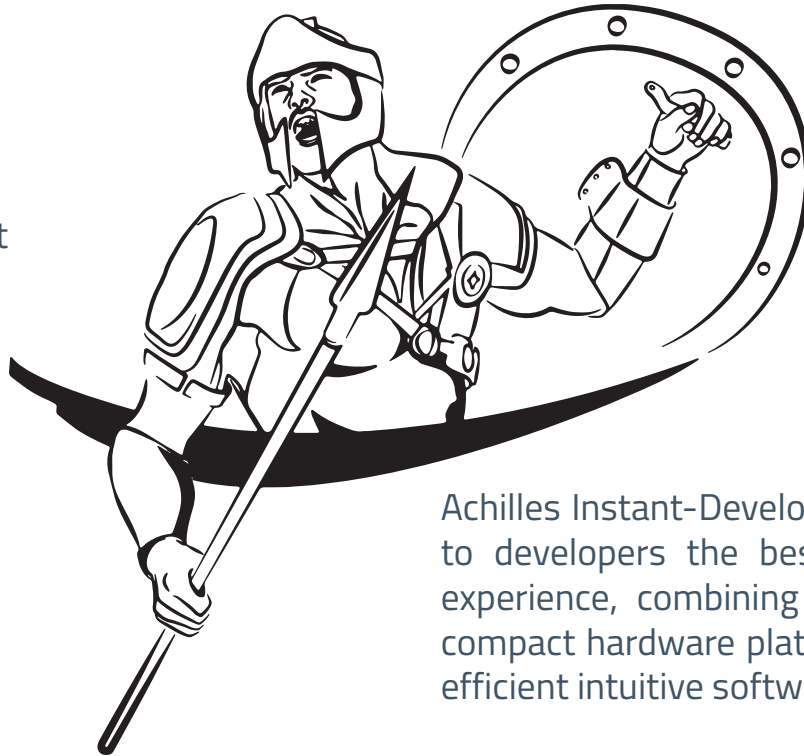


## Instant-DevKit Arria 10 SoC SoM IDK

**Target markets:**

- Automotive
- Video Broadcast
- Machine and Intelligent Vision
- Industrial
- Military
- Test & Measurement
- Medical



Achilles Instant-Development Kit provides to developers the best Out-Of-The box experience, combining the Best-In Class compact hardware platform and the most efficient intuitive software environment.

## DevKitInvasion



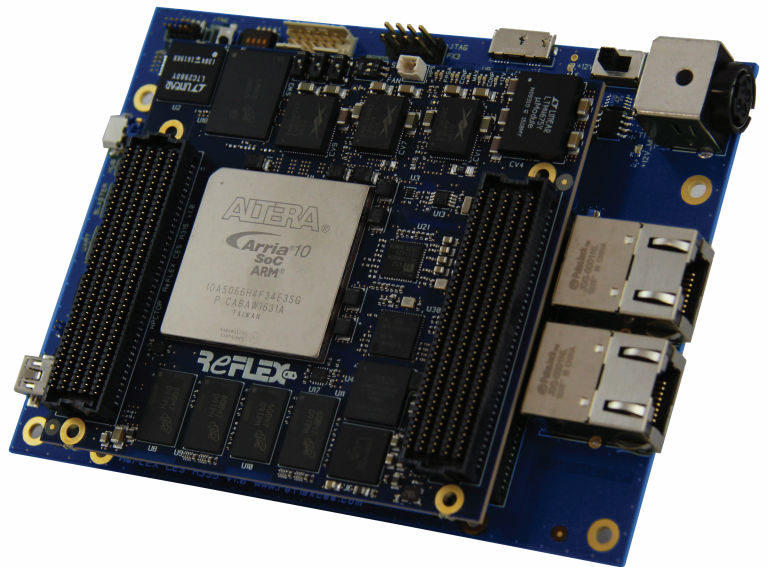
**ATTILA**  
Arria 10 FPGA FMC IDK



**ALARIC**  
Arria 10 SoC FMC IDK



**ACHILLES**  
Arria 10 SoC SoM IDK



Contact :

Europe Sales Office  
sales@reflexces.com

www.reflexces.com

ALTERA **Arria<sup>®</sup>10** 

North America Sales Office  
salesusa@reflexces.com



# ACHILLES Instant-DevKit

## Arria 10 SoC SoM IDK

### Configuration & Monitoring

- Onboard USB Blaster JTAG configuration circuitry to enable FPGA and MAX10 configuration over USB connector.
- µUSB connector interfacing UART bus, MAX 10 and the HPS FPGA
- Connector for connecting a Linear Powerplay DC1613A USB cable
- PMBus interface : Digital Power System management is ready, configure and interrogate the PSM Devices with LTPowerPlay

### Communication Interfaces

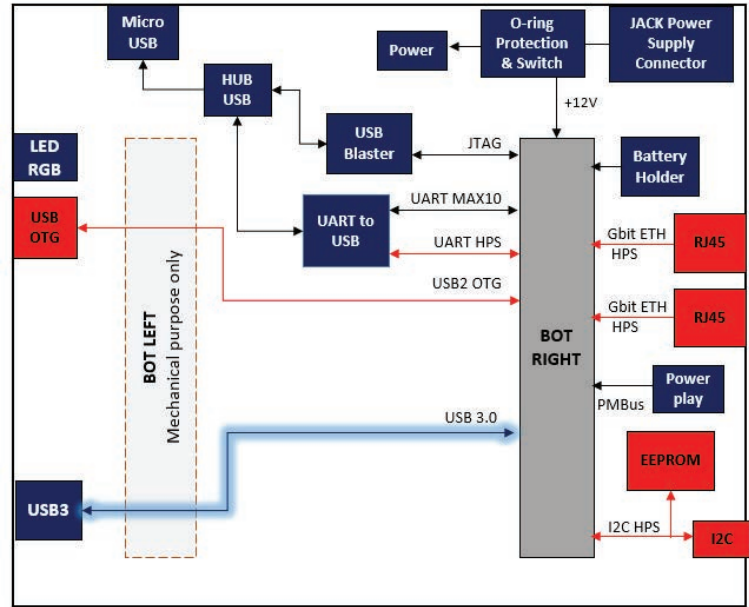
- 2x Ethernet 10/100/1000 Base-T (HPS)    1x I<sup>2</sup>C (HPS)
- 1x USB3.0 Micro B (FPGA)                    1x USB OTG Mini AB (HPS)

**Board size** - 100mm (3.94 inches) x 140 mm (5.51 inches)

**Power** - Evaluation mode on desk with AC power supply

**Standards and compliance** - RoHS/REACH compliant, ISO9001 Facility, UL certified

### Starter board



### Kit Ordering information

#### Version

- Development Kit (Starter board + Module)

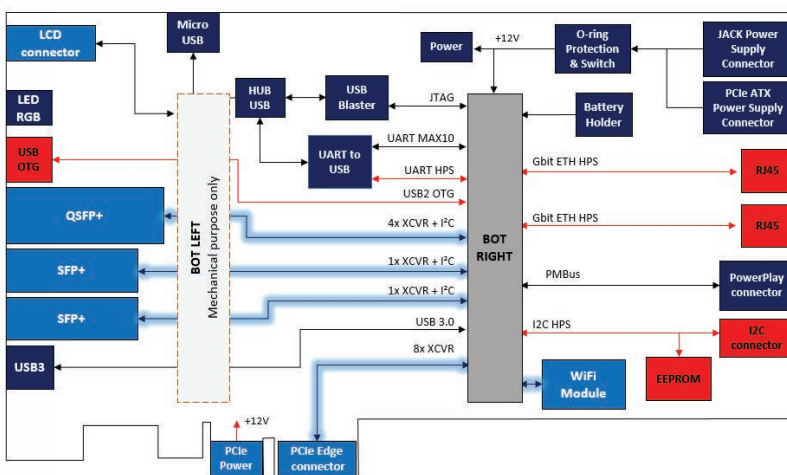
#### Part number

RXCA10S066PF34-IDK0SA

#### Kit content

- Power cable (US, UK, EU, JP), cables (USB, Ethernet)
- Starter board running the GUI interface
- Arria 10 SoC SoM "Turbo" version with Heatsink/heat spreader
- Starter Guide, Reference Manual
- Test Designs (Quartus II Projects), Mechanical drawings
- Schematics (pdf), assembly files (pdf), Carrier Design Guide

## Optional add-on board : PCIe Carrier Board



### Configuration & Monitoring

- Onboard USB Blaster JTAG
- µUSB connector interfacing UART bus, MAX 10 and HPS FPGA.
- Connector for Linear Powerplay DC1613A USB cable
- PMBus interface : Digital Power System management is ready, configure and interrogate the PSM Devices with LTPowerPlay

### Communication Interfaces

- PCI Express x8 Gen 1/ 2/ 3 edge connector
- 1x QSFP+ quad optical cage (4 XCVR: 10.3125 Gb/s per link)
- 2x SFP+ single optical cage (2 XCVR : 10.3125 Gb/s per link)
- 2x Ethernet 10/100/1000 Base-T (HPS)
- 1x USB3.0 Micro B (FPGA), 1x USB OTG Mini AB (HPS)
- Atmel Wifi 802.11 b/g/n IoT (Internet of Things) module
- One 1x10pts connector for connecting an LCD

### Power

- Evaluation mode on desk (AC power supply) or PCIe mode

**Standards and compliance** - RoHS/REACH compliant, ISO9001 Facility, UL certified

### Board size

- Standard height ( 111.15 mm / 4.376 inches) x Half length ( 167.65 mm / 6.600 inches) / Fan on top

**PCIe Carrier Board Ordering information :** Part number = RXCA10S000F34-FHPOSA